



TABLE OF CONTENTS

Description	Page
36" Rubber Belt and Drive Hub.....	45
Accessories.....	44
Accessory Kits.....	42
Advanced Farming Systems.....	41
AFX Rotors.....	24
Anti-static Kit.....	44
Auger & Bearing Kits - Grain Tank.....	30
Auger Bearing Kit.....	7,30
Auger Drive Kit – Reduced Speed.....	17
Auger Finger Kits.....	11
Auger Finger Shaft Bearing Kit.....	11
Axle and Operator Deck Extensions.....	43
Bearing and Shield Kit.....	14
Bearing Kit.....	20,30
Bearing Kit – Chopper Rotor.....	35
Bearing Kit for Heavy-Duty Drum.....	21
Brush/Seal Kit.....	31
Bubble Up Auger Bearing Kit.....	29
Bulk Tines.....	10
Case IH Moisture-Max & Case IH Moisture-Max Plus.....	37
Chain Breaker.....	44
Chain Guide Kit.....	20
Chain/Sprocket Kit – 1 Row.....	15
Chopper Grate Cover.....	34
Clean Grain Bearing Kit.....	29
Clean Grain Elevator and Grain Tank Cross Auger Slow Down Kit.....	32
Cleaning Fan Bottom Shield Kit.....	32
Cleaning System Kits / Grain Handling Kits.....	29
Combine Lighting Kits.....	23
Combine Sieves.....	33
Complete Chopper Assembly with Bearing Kit.....	35
Complete Drum Assembly.....	21
Complete Rasp Bar Kits.....	26
Complete Roll and Chain Assembly.....	14
Corn Head Ear Saver Kit.....	15
Corn Head Kits.....	9,12,13,14,15,16,17
Corn Head Knife 2400 Series Corn Heads.....	12
Corn Head Row Unit.....	17
Crop Dividers.....	9
Crop Dividers and Accessories.....	10
Cross Flow Fan Bearing Kit.....	29
Cutter Bar Rebuild Kits.....	8
Deluxe Hard-to-Thresh Kit.....	33
Deluxe Kit – 1 Row.....	15
Deluxe Service Lighting Kit.....	23
Divider Assemblies.....	18
Drive Shaft Bearing Kit.....	7
Drive Sprocket Kit.....	12,16
Ear Saver Kit.....	12,16,18
Ear Saver Kit/Tall Corn.....	17
Elevator Chain w/Sprockets.....	30
Extenda-Wear™ Rotor Cage Stainless Steel Transport Vane Kit.....	27
Extenda-Wear™ Chains Kit.....	13
Extenda-Wear™ Rasp Bar Kits (cast chrome alloy).....	25,26
External Brush Kit.....	31

Description	Page
Feeder Chain – 2009 & Later - “U” Shape Slat.....	19
Feeder Chain – w/Full Width Slats.....	19
Feeder Chain Link Kits – 2009 & Later.....	19
Feeder Chain Roller Kit.....	19
Feeder Chain Slat Kit.....	19
Feeder Drum Spring Kit for Heavy-Duty Drum.....	21
Feeder Kits.....	19,20,22
Feeder Kits / Rotor Cage.....	43
Feeder Lateral Tilt.....	22
Feeder Rock Trap Conversion Kit.....	22
Fire Extinguisher Kit.....	44
Fixed Chopper Knife Assembly.....	34
Fixed Straw Chopper Knife Kit.....	34
Front Drum Spring Tension Kit.....	21
Genuine Case IH Cutting Parts.....	7
GMTGrind™ Grain Moisture Tester.....	36
Grain Handling Kits.....	32,43
Grain Handling Kits/Cleaning System.....	32,33
Grain Header Guards.....	6
Grain Header Kits / Corn Head Kit.....	9
Grain Heading Kits.....	30
Grain Tank Extended-Wear Auger Trough Kit.....	32
Guard Kits – 2 & 4 PACK.....	8
Guards.....	6
Handheld Grain Moisture Analyzer.....	37
Hard to Thresh Module Kit.....	28
Hard-To-Thresh Cross Auger Trough Kit.....	33
Header Auger Finger Kits.....	11
Header Sweep Kit.....	10
Heat Treated Round Bar Module Kit.....	27
Heavy Duty #557 Chain w/Chrome Pin.....	19
Heavy-Duty Heat Treated Guards.....	6
Heavy-Duty Lift Kits.....	22
Heavy-Duty Lift Package.....	22
HID Light Kit.....	23
Hood Assemblies.....	18
Idler Sprocket Kit.....	12,16
Impeller Wear Bar Kit.....	24
Kits for Newer Style Header Reels.....	8
Knife Drive Assembly.....	11
Ladder Extension Kit.....	44
Light Kit.....	23
Low Profile Divider Point Kits.....	17
Low Profile Point Kits.....	12,16
Lower Shoe Shaker Arm Bushing Kit.....	29
Lower Shoe Shaker Arm Deluxe Kit.....	29
Lower Stalk Row Bearing Shield.....	14
Lubricants and Filters.....	38,39,40
Magnacut 3x3 Rotating Knife Kit.....	35
Moisture Testers - GRAIN.....	36
Moisture-Max & Moisture-Max Plus.....	37
MoistureMATCH™ Grain Tester.....	37
MT-16 Grain Moisture Tester.....	36
MT-PRO™ Multi-Grain, Multi-Language, Grain Moisture Tester.....	36
Non-Stone Trap Conversion Kit.....	22

Description	Page
Perforated Feeder Floor.....	22
Poly Hoods, Divider Kits and Completing Kits	18
Poly Point Kit.....	10
Poly-Skid Shoe Kits for 2020 Flex Series Headers	10
Portable Grain Kit.....	36
Power-Luber®	44
Pre-harvest Planning	5
Precision Farming Kits.....	43
Productivity Tips / Guides.....	42
Rasp Bar Bolt Kit.....	25
Rasp Bar Kits	25
Rasp Bar Service Pack.....	25,26
RASP BAR, RASP BAR KITS and Straight Bar Kits.....	25
Rear Kicker Plate Kit.....	26
Residue Handling Kits	43
Residue Management Kits.....	34
Rock Trap Sump Cover Kit.....	22
Rotary Air Screen Brush Kit.....	31
Rotary Air Screen Kits	31
Rotary Air Screen Wear Strip Kit.....	31
Rotary Internal (RAS) Cleaning Brush Kit	31
Rotating Straw Chopper Knife Kit.....	34
Rotor Cage Kit	27
Rotor Cage Vane Kits.....	27
Rotor Impeller Kit.....	24
Screen Clip Kit	31
Self Directed Learning Program.....	42
Small Tube Rotors	26
Stainless Steel Cage Repair Kits T-bolt kit	27
Stainless Steel Repair Kit.....	18
Stalk Roll Assembly with Knives	14
Stalk Roll Repair Kits	13,15
Standard Duty Chains	13
Standard Duty Rasp Bar	25
Standard Kit - 1 Row	15
Straight Bar Kits	25
Straw Chopper Kit – Fine Cut.....	35
Straw Chopper Kit – Standard Cut (28 blades).....	35
The Versatile Magnacut Chopper.....	35
Track Kits	45
Transition Cone	24
Tube Kit.....	10
Undercarriage Assembly.....	45
Unloading Auger Extension, 3’.....	32
Upper Shaker Shoe Bushing Deluxe Kit	29
Upper Shaker Shoe Bushing Kit.....	29
Uptime Packs.....	12,16
User Guide for Combine Separator Adjustment Slide Rule	42
Vane Kit for Cone with Bolted-in Vanes	24
Voyager Observation Systems.....	41
Wear Plate Kit	16
Weed Knife - Two Piece Design.....	12
Weed Knife Kits	12,15
Yokes	45

PRE-HARVEST PLANNING

Case IH has developed combine product support kits designed to enhance the performance of your Axial-Flow 7010, 8010, 7120, 8120 and 9120 combines. And now is the perfect time to get started on evaluating your maintenance needs before the busy harvest season. Several different viewpoints were factored into the development and design of these performance and maintenance kits including:

- Input from customers like you who own and operate Case IH Axial-Flow 7010, 8010, 7120, 8120 and 9120 combines.
- Advice from Case IH dealers' product support departments. These parts and service specialists have submitted suggestions based on actual experiences in the dealership.
- Data from Case IH combine engineers who work to make improvements on later models, through packaged kits that can be installed on a previous model combine, corn head or grain header.

Performance Kits: These kits, such as Crop Dividers and Feeder Rock trap kits, were developed to improve the performance and productivity of your Axial-Flow 7010, 8010, 7120, 8120 and 9120 Combines.

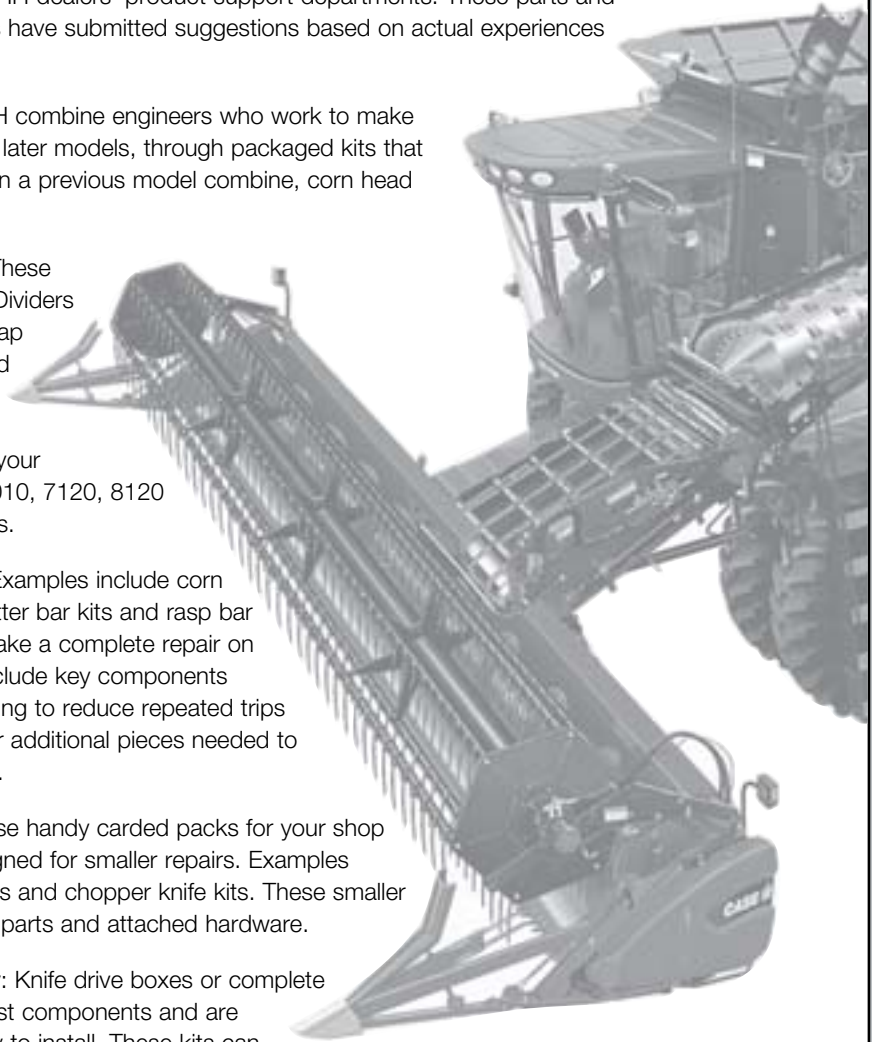
Maintenance Kits: Examples include corn head repair kits, cutter bar kits and rasp bar kits, designed to make a complete repair on a machine. They include key components and hardware, helping to reduce repeated trips to the dealership for additional pieces needed to complete the repair.

Service Packs: These handy carded packs for your shop or toolbox are designed for smaller repairs. Examples include auger fingers and chopper knife kits. These smaller kits still include key parts and attached hardware.

Complete assembly: Knife drive boxes or complete rotors have the latest components and are complete and ready to install. These kits can reduce downtime during the season while upgrading your combine with the latest improvements.

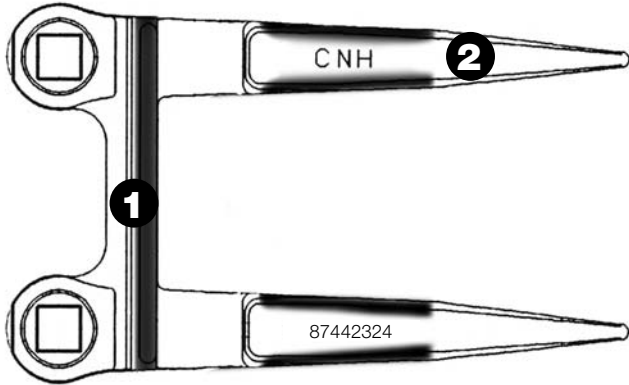
While you can install these kits yourself, other kits are best installed by your Case IH dealer who has the training and special tools to install these kits in your Axial-Flow 7010, 8010, 7120, 8120 and 9120 combines. Ask your Case IH dealer for an installed price on any of these kits.

Your recommendations on new kits for your Axial-Flow 7010, 8010, 7120, 8120 and 9120 combines and header are always welcome. Talk to us and we'll submit your ideas to Case IH parts marketing.



GRAIN PLATFORM KITS

GUARDS



The performance and durability are in the superior double heat treating of critical wear surfaces.

- 1** Case IH employs the high industry standards of using a special heat-treatment process on the back bar to reduce wear between the guard and the section.
- 2** Case IH applies an additional induction-hardening process to the ledger areas to provide longer wear-sharp surface for more efficient cutting. These ledger areas are also wider for additional service life.

Today's machines have increased cutting demands. Made for durability and longer service life, Case IH guards provide top performance in all harvest conditions.



HEAVY-DUTY HEAT TREATED GUARDS

Grain Header Guards

PART NO.	DESCRIPTION
87442329	End Guard - 3" System
87045432	Triple Guard - 3" System
87442324	Main Guard - 3" System
87015708	Main Guard - 1 1/2" System
87015706	End Guard - 1 1/2" System
9826150	Main Hold Down Clip - 1 1/2" System



GRAIN PLATFORM KITS

GENUINE CASE IH CUTTING PARTS

Matched Engineered Components For Superior Performance



Back Hardened Sections

The back edge of most Case IH sections are hardened to the same Rockwell hardness as the mating surface of the Case IH guard or wear plate to provide:

- Superior durability
- Assures an even wear rate between the two mating surfaces and eliminates the need for frequent adjustments
- Increase section longevity at mating surfaces



- Case IH sections are made from a high carbon steel with induction hardened cutting edge for superior wear line.
- The center of the Case IH section is very ductile for improved toughness.
- Top serrated sections are self-sharpening for a cleaner-smoother cut.
- The back edge of most Case IH sections are hardened for superior durability.

KNIVES

PART NO.	DESCRIPTION	APPLICATION
86900832	LH 20 FT	2020
86900833	RH 20 FT	2020
86900834	LH 25 FT	2020
86900835	RH 25 FT	2020
86900834	LH 25 FT	2010
86900835	RH 25 FT	2010
86977981	LH 30 FT	2020
86977982	RH 30 FT	2020
86977981	LH 30 FT	2010
86977982	RH 30 FT	2010
87595600	LH 35 FT	2020
87595301	RH 35 FT	2020

SECTIONS

PART NO.	DESCRIPTION	APPLICATION
86616529	3" END - RH FINE 14 SER/INCH	2010
86616528	3" END - LH FINE 14 SER/INCH	2010
86616527	3" MAIN - FINE 14 SER/INCH	2010
86616693	3" END - RH COARSE 10 SER/INCH	2020
86616692	3" END - LH COARSE 10 SER/INCH	2020
86616689	3" MAIN - COARSE 10 SER/INCH	2020



Drive Shaft Bearing Kit

- Handy Service Pack
- Kit Includes Bearing, Flange, and Mounting Hardware
- Application 2010 & 2020 Headers

Part No. 87297938



Auger Bearing Kit - Drive End

- Handy Service Pack
- Kit Includes Bearing, Collar, Flanges and Mounting Hardware
- Application 2010 & 2020 Headers

Part No. 87297943

Very important: Every component in the cutting system is designed and tested by Case IH engineering and manufactured only by approved suppliers.



GRAIN PLATFORM KITS

GUARD KITS – 2 & 4 PACK

- Kits include guards, hold down clips, shims and hardware
- Handy service 4-pack to repair two-foot sections or 2-pack to repair one-foot sections
- Kits for 3" systems
- Kits with double heat-treated guard for longer wear-life and improved toughness

GUARD KITS – 2-PACK - 3" SYSTEM DOUBLE HEAT TREATED GUARD

PART NO.	DESCRIPTION
87298212	KIT WITH ADJUSTABLE HOLD DOWN CLIP
87297170C	ADJUSTABLE HOLD DOWN CLIP

GUARD KITS – 4-PACK - 3" SYSTEM DOUBLE HEAT TREATED GUARD

PART NO.	DESCRIPTION
87298213	KIT WITH ADJUSTABLE HOLD DOWN CLIP

KITS FOR NEWER STYLE HEADER REELS

Reel Repair Kit

Gather more grain when your 2000 series pick-up reel is in top shape and ready for tough harvest conditions. New reel repair kits offer:

- Convenience – key components and hardware in one kit
- Save – time and money
- Confidence – your reel will feed your valuable crop to your combine



Reel Arm Bearing Kit
Part No. **B95624**

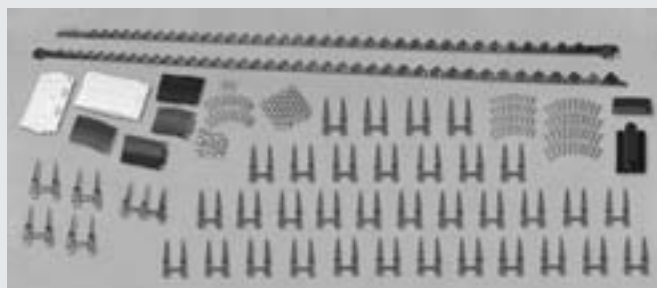


Reel Arm Bushing Kit
Part No. **B95644** - One Side
Part No. **B95645** - Two Sides



Reel Arm Bearing Kit
Part No. **B95623** - Kit for one spider

CUTTER BAR REBUILD KITS



3" System

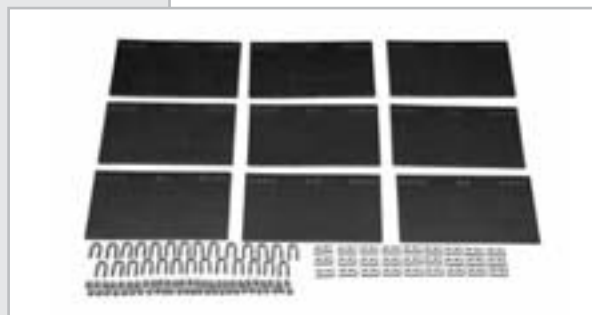
For 2010 and 2020 Headers

Kits available with or without knives. Kits are complete and include: guards, hold-down clips, wear plates and hardware. Kit may or may not include the knife depending on ordering option.

Restore your grain header to "like-new" performance with a complete cutter bar rebuild kit.

3" CUTTER BAR KITS

HEADER SIZE	DRIVE	TYPE OF HOLD DOWN CLIP	MODEL	KIT W/O KNIFE	KIT W/ KNIFE
20' FLEX	DOUBLE	ADJUSTABLE	2020	87297974	87297979
25' FLEX	DOUBLE	ADJUSTABLE	2020	87297975	87297980
30' FLEX	DOUBLE	ADJUSTABLE	2020	87297976	87297981
35' FLEX	DOUBLE	ADJUSTABLE	2020	73340145	73340144
20' RIGID	SINGLE	ADJUSTABLE	2010	87297972	87297973
25' RIGID	DOUBLE	ADJUSTABLE	2010	87297977	87297982
30' RIGID	DOUBLE	ADJUSTABLE	2010	87297978	87297983



Reel Tine Flap Kit

- Improves crop flow in light crops
- Kit includes nine (9) flaps and mounting hardware

Part No. 86705199

GRAIN PLATFORM KITS

GRAIN HEADER KITS / CORN HEAD KIT

CROP DIVIDERS

Listed below are divider options for 2010 and 2020 headers.
All kits except the crop divider end assemblies include components for both LH & RH dividers.

Crop Divider - Short

- For 2010 and 2020 Headers
- Recommended for short to medium standing crops

Part No. 801462 - Loop style shown - 2006 and earlier models
Part No. 87058247 - 2007 models



Crop Divider - Medium

- For 2010 and 2020 Headers
- Recommended for medium to tall standing crops

Part No. 87016131 - 2006 and earlier models
Part No. 87548554 - 2007 models & later



Crop Divider End Assembly

- Replacement End for Long Dividers
- Fully assembled-ready to install

Part No. 87298163 - (LH)
Part No. 87298164 - (RH)



Crop Divider - Long

- For 2010 and 2020 Headers
- Recommended for taller tangled crops

Part No. 87053604 - 2006 and earlier models
Part No. 87548556 - 2007 models & later



Part No. 87041928

Corn Head Kits – 2200 Series Corn Heads

- Kit to install a 2200 series corn head (for 2388) on a AFX 8010 combine
- Kit includes: Drive shafts, hydraulics and electrical

PART NO.	DESCRIPTION
87041928	8 ROW KIT
87041425	12 ROW KIT

Corn Head Kits – 2600 Series Corn Heads

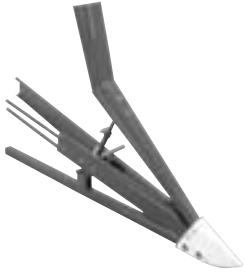
- Kit to install a 2600 series corn head for a 2588 to a 7010-9120 combines and 88 series combines
- Kit includes: Drive shafts, hydraulics and electrical

PART NO.	DESCRIPTION
87588414	6 ROW KIT (2606)
87588416	8 ROW KIT (2608)

GRAIN PLATFORM KITS

HEADER KITS

Crop Dividers and Accessories



- Complete replacement divider
- Assembled
- 2000 Series with long divider

Part No. 87298163 - (LH) Shown
Part No. 87298164 - (RH)

TIME SAVER!



Poly Point Kit

Part No. B95408

Tube Kit

Part No. B95409



Part No. B95856

Tine Service Kits

- Handy service kit
- Includes tine and mounting hardware

PART NO.	APPLICATION	SINGLE PIECE NO.
B95856	FULL TINE - MLII REELS HEADER	86608231 2001 AND LATER

Bulk Tines

PART NO.	APPLICATION
B95872	MLII REELS, 2001 & LATER

Bulk Tines - 25 pack

PART NO.	APPLICATION
B95857	MLII REELS, 2001 AND LATER



Twenty-five Pack



Large Bulk Pack

POLY-SKID SHOE KITS FOR 2020 FLEX SERIES HEADERS

Poly-skid shoes improve header performance in wet, sticky soils and extends the life of the metal shoe in sandy, abrasive soils. Kit includes main shoe, end shoes and hardware.



HEADER SIZE	PART NUMBER
20'	87297944
25'	87297945
30' HEADS BEFORE S/N CBJ020001	87297946
30' HEADS CBJ020001 TO CBJ020700	87049707
30' HEADS CBJ020701 TO CBJ021300	87387731
35'	73340507

Header Sweep Kit

- Improved feeding
- Kit includes sweep plates and mounting hardware

Part No. 87016167

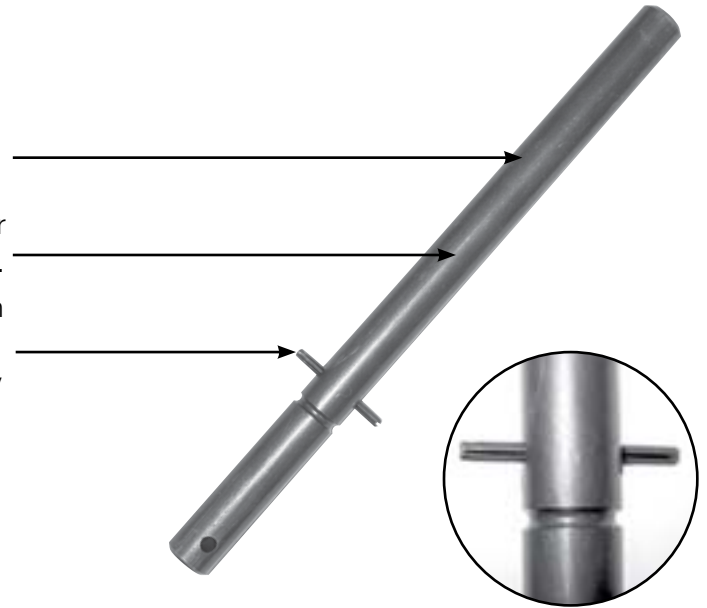


GRAIN PLATFORM KITS

HEADER AUGER FINGERS AND KITS

The new Auger Finger is tougher, stronger, more wear resistant, and now has a roll pin installed to capture the Auger Finger safely in the auger tube.

- **SURFACE HARDNESS** - The surface hardness is increased to provide more wear life.
- **CORE HARDNESS** - The core hardness is increased for improved toughness to better resist breaking or bending.
- **ROLL PIN RETAINER** - A roll-pin is positioned between the finger guide and breakpoint to capture any broken finger inside the auger tube. Any broken finger can easily be removed at the operator's convenience.



STEEL VS. POLY/FIBERGLASS FINGER

Steel is harder than Poly/Fiberglass and will provide substantially more wear life. Stronger - tougher - harder - longer lasting and with the retainer system the new Case IH steel auger finger is the better choice.



Part No. B96539C
Auger Finger Kit



Part No. B96538C
Deluxe Auger Finger Kit

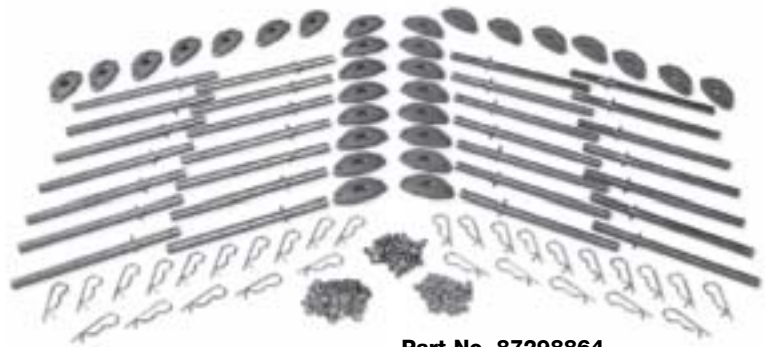
Auger Finger Kits

KIT SELECTION - 2005 AND EARLIER MODELS

PART NO.	DESCRIPTION
B96539C	AUGER FINGER KIT - TWO FINGERS, GUIDES AND HARDWARE
B96538C	DELUXE AUGER FINGER KIT - ONE FINGER, HUB, GUIDE AND HARDWARE
B96520	AUGER FINGER COMPLETE REPAIR KIT

New Style Header Auger Finger Kits

- For 2006-2009, Model 2010, and 2020 Grain Headers
 - Long wearing heat treated auger finger and hardware
- Part No. 87298864** - complete set - 30' Header (shown)
Part No. 87298865 - complete set - 25' Header
Part No. 87298860 - complete set - 20' Header
Part No. 87298867C - two pack kit
Part No. 87298954C - deluxe finger kit



Part No. 87298864

Knife Drive Assembly

- For 2000 Series headers
- For minimum downtime and new performance - choose the complete replacement

Part No. 85000175



Auger Finger Shaft Bearing Kit

- For 2000 Series headers
- Kit includes bearing, flange, lock collar and mounting hardware
- Handy service pack for shop or tool box

Part No. B96552C





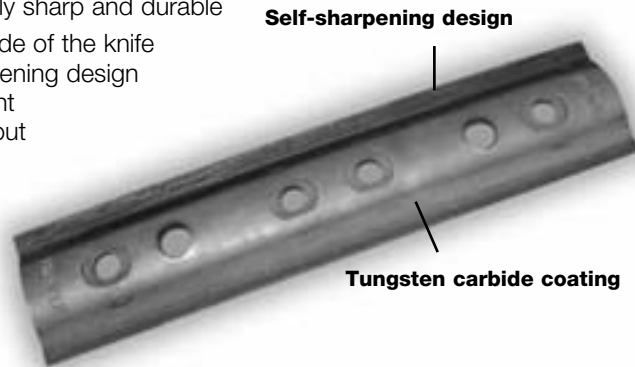
CORN HEAD KITS

2400 SERIES CORN HEADS

NEW STYLE CORN HEAD KNIFE 2400 SERIES CORN HEADS

Individual Knife Blades

- Each stalk roll contains two bolt-on knives with two cutting edges
- The blades can be replaced individually without removing the stalk roll from the frame...reducing replacement time
- The cutting edge of the knives are coated with a long wearing tungsten carbide and heat treated making them extremely sharp and durable
- The coating on one side of the knife produces a self-sharpening design that ensures consistent performance throughout the life of the knife



Weed Knife - Two Piece Design

- Front weed knife is made of ductile cast iron for improved strength and wear life
- Rear weed knife is made of heat treated formed steel
- Both the front and rear knife kits include knives and hardware to repair one row



Weed Knife Kit - Rear
Part No. B95581



Weed Knife Kit - Front
Part No. B95580

UPTIME PACKS

- Handy service packs
- Includes hardware
- Genuine Case IH components



Idler Sprocket Kit
Part No. B95573



Drive Sprocket Kit
Part No. B95574A



Ear Saver Kit
Part No. B95582



Low Profile Point Kits
Part No. 87017985 - 30" Rows
Part No. 87017986 - 36", 38" Rows
Part No. 87017987 - 20", 22" Outer Points

CORN HEAD KITS

STALK ROLL REPAIR KITS FOR 2400 SERIES CORN HEADS

- KITS INCLUDE COMPONENTS TO REBUILD ONE ROW
- ALL COMPONENTS ARE ORIGINAL EQUIPMENT QUALITY
- CORN HEAD KNIVES HAVE SUPERIOR TUNGSTEN CARBIDE COATING FOR LONGER WEAR
- CORN HEAD KNIFE HARDWARE IS GRADE 8
- ALL HARDWARE IS INCLUDED



Corn Head Repair Kit

- Gatherer chains
- Sprockets and hardware
- Packaged

Part No. B96154A

- Kit has chain with standard pins

Part No. B96155A

- Kit has chain with chrome plated pins



Part No. B95583A

Standard Kit - 1 row Kit includes:

- Corn head knives (4)
- Special hardware

Part No. B95583A



Part No. B95585A

Deluxe Kit - 1 Row Kit includes:

- Gatherer Chains (2)
- Idler Sprocket (2)
- Drive Sprocket (2)
- Knife (4)
- Special Hardware

Part No. B95585A -

Kit with chrome pins in chains

Part No. B96153A -

Kit with STD pins in chains



Part No. B95584A

Stalk Roll Assembly - 1 Row Kit includes:

- Stalk Roll tube, knife style (2)
- Knife (4)
- Point RH (1)
- Point LH (1)
- Gatherer Chain (2) with chrome pins
- Idler Sprocket (2)
- Drive Sprocket (2)
- Special Hardware



Part No. 86978515

Extenda-Wear™ Chains Kit includes:

- Chrome pins for longer service life
- Wears up to 2.5 times longer than regular duty chains
- Factory equipment on all 2400 Corn heads

Part No. 86978515

Standard Duty Chains

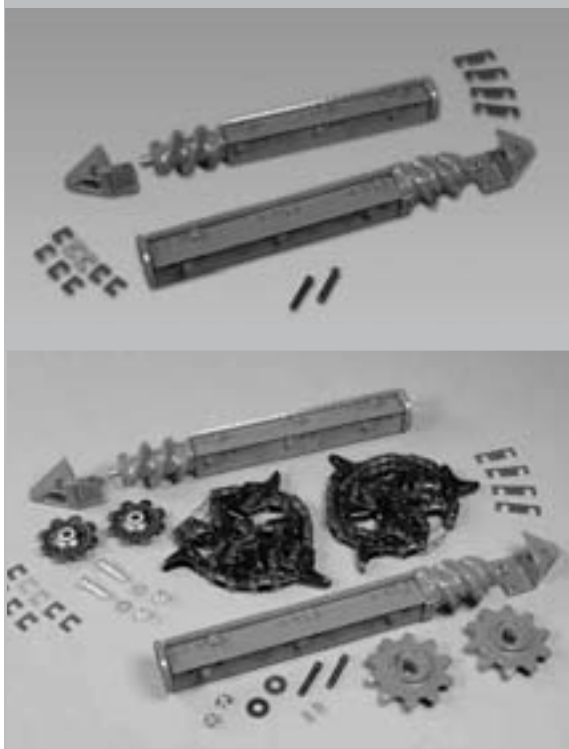
- Available for 2400 Corn Heads

Part No. 86979313



CORN HEAD KITS

STALK ROLL REPAIR KITS FOR 3400 SERIES CORN HEADS



Stalk Roll Assembly with knives

Kit includes:

- LH and RH Roll Assembly with knives
- Spiral augers
- Lower support shims
- Lower support and hardware

Part No. 73340128 – 1 Row

Complete Roll and Chain Assembly

Kit includes:

- LH and RH Roll Assembly
- Spiral augers
- Lower support shims
- 2-Gatherer chain idler sprockets
- Drive sprocket attaching hardware
- 2-Gatherer chain drive sprockets
- 2-Gatherer chains

1 Row with regular duty chains

Part No. 73340129

1 Row Extenda-Wear™ chains

Part No. 73340130

LOWER STALK ROW BEARING SHIELD

Part No. B94982 - 2 row kit

Part No. B94983 - 4 row kit

Part No. B94984 - 6 row kit

Part No. B94985 - 8 row kit

BEARING AND SHIELD KIT

- Includes 2 bearings and two shields
- Lower stalk row

Part No. B95612



CORN HEAD KITS

STALK ROLL REPAIR KITS FOR 3400 SERIES CORN HEADS

- KITS INCLUDE COMPONENTS TO REBUILD ONE ROW
- ALL COMPONENTS ARE ORIGINAL EQUIPMENT QUALITY
- CORN HEAD KNIVES HAVE SUPERIOR TUNGSTEN CARBIDE COATING FOR LONGER WEAR
- CORN HEAD KNIFE HARDWARE IS GRADE 8
- ALL HARDWARE IS INCLUDED

Standard Kit - 1 Row

Kit includes:

- Corn head knives (8)
- Hardware

Part No. 73340131 for 3400 series corn heads.

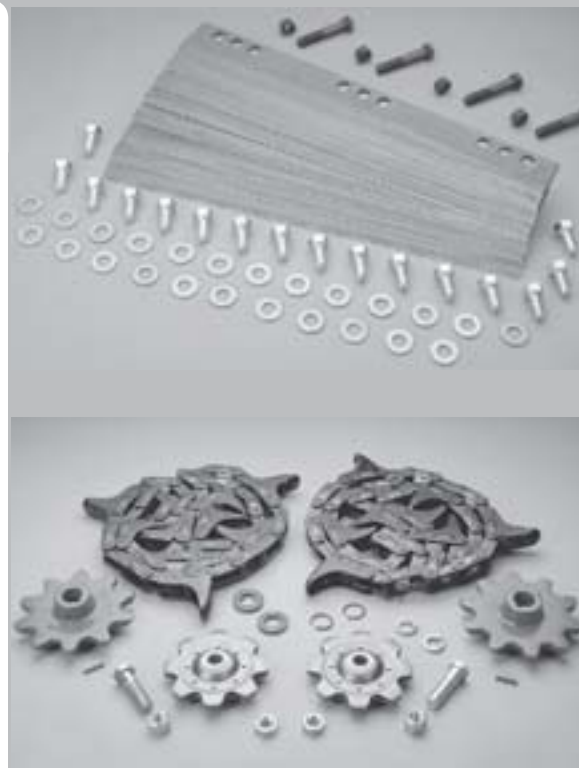
Chain/Sprocket Kit - 1 Row

Kit includes:

- Gatherer chain drive sprocket (2)
- Gatherer chain idler sprocket (2)
- Gatherer chains (2)
- Hardware

**1 Row Regular-Duty Chain for 3400 series corn heads
Part No. B96154A**

**1 Row Extenda-Wear™ Chain for 3400 series corn heads
Part No. B96155A**



DELUXE KIT - 1 ROW

Kit includes:

- Corn head knives (8)
- Hardware
- Gatherer chain drive sprockets (2)
- Gatherer chain idler sprockets (2)
- Gatherer chains (2)

1 Row Regular-Duty Chain for 3400 series corn heads

Part No. 73340134

1 Row Extenda-Wear™ Chain for 3400 series corn heads

Part No. 73340135

CORN HEAD EAR SAVER KIT

- Reduce ear loss
- High-strength rubber
- Hardware included

Part No. B95582 - Poly Hoods



WEED KNIFE KIT (FRONT)

Part No. 73340136



WEED KNIFE KIT (REAR)

Part No. 73340137





CORN HEAD KITS

FOR 3400 SERIES CORN HEADS

UPTIME PACKS

- Handy service packs
- Includes hardware
- Genuine Case IH components



IDLER SPROCKET KIT

Part No. B95573

Plated Sprockets

Part No. 73340138



LOW PROFILE POINT KITS

Part No. 87017985 - 30" Rows

Part No. 87017986 - 36", 38" Rows

Part No. 87017987 - 20", 22" Outer Points



WEAR PLATE KIT

- Replaceable wear plate
- Kit includes plate and hardware
- For 3400 corn heads

Part No. 73340139



DRIVE SPROCKET KIT

Part No. B95574A



EAR SAVER KIT

Part No. B95582

CORN HEAD KITS

EAR SAVER KIT/TALL CORN



For 2400/3400 Series Corn heads

- Kit includes components to extend the height of the outer heads/dividers to minimize ear loss in tall corn
- Can be raised to harvest standing corn or lowered to harvest down corn
- Design permits fold-ability of end dividers
- Design minimizes hair pinning
- Heavy duty components for durability and longer service life
- Smooth front to rear transition
- Simple installation complete instruction manual included with each kit

Part No. 87034528

KITS FOR 2400/3400 SERIES CORN HEADS

Corn Head Row Unit

Part No. B96673A

- Includes slip clutch
- Painted
- Less stalk roll assembly. Order either the fluted roll style kit or knife roll style kit to complete the corn head unit.
- Use existing shields and dividers or poly kits for 2400/3400 Corn heads
- Includes only right hand stripper plate. Order components to equip with manual or hydraulic stripper plates



**Part No. B96673A
2200/2400**

Part No. 87298886 - 2400 Series Corn Heads

Part No. 87607076E - 3400 Series Corn Heads

- Has the components included on Part No. B96673A plus stalk roll assemblies, gatherer chains, sprockets, weed knives, steel wear point, and hydraulic stripper plate (LH)

Auger Drive Kit – Reduced Speed

- Application 2400 corn heads
- Auger speed has been reduced 25 – 30% to reduce the amount of energy being applied to ear conveying. This results in fewer ears being tossed forward over the auger thus reducing ear loss, shatter loss, and reprocessing loss. The slower auger speed also gives the feeder a better chance of taking the ears away from the auger.
- The auger speed idler support spindle is easily adjusted to obtain the desired amount of chain tension. The tension of both chains is adjusted at the same time to reduce adjustment effort.
- The auger speed reduction drive increases the amount of torque that can be delivered to the auger before the clutch slips. This increases the auger capacity to convey tough heavy bunches of material.



**Part No. 87501635 –
Single Auger, 8 row**

**Part No. 87501785 –
Double Auger Drive, 12 row**

LOW PROFILE DIVIDER POINT KITS

- Low profile divider point offers improved performance in down corn conditions by lifting and gathering more down corn stalks than the previous design



6 Row Kit

- Point is designed to keep the tip of the point lower when running 2400/3400 Series Corn heads low to the ground, thereby getting under more corn stalks that lay close to the ground
- The tip of the point is more blunt, which is less likely to spear corn leaves and run cleaner

PRODUCT SELECTION

PART NO.	DESCRIPTION
87017978	KIT, 6R30", 70CM CAST POINT
87017979	KIT, 6R36", 38" CAST POINT
87017980	KIT, 8R22", CAST POINT
87017981	KIT, 8R30", 70CM CAST POINT
87017982	KIT, 8R36", 38" CAST POINT
87017983	KIT, 12R20", 22" CAST POINT
87017984	KIT, 12R30", CAST POINT
87017985	KIT, 30", 70CM CAST POINT
87017986	KIT, 36", 38" CAST POINT
87017987	KIT, 20", 22" END CAST POINT

Part Numbers 87017985, 87017986, 87017987 include one point and unique mounting hardware. The other kits listed would include points and hardware to complete the corn head listed in the description.



POLY HOODS, DIVIDER KITS AND COMPLETING KITS

FOR 2400/3400 SERIES CORN HEADS



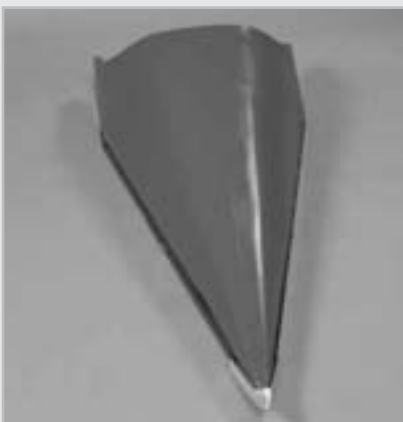
Outer Hood



Inner Hood



Outer Divider



Inner Divider

- Color-matched high-strength polyethylene shell over heavy duty steel frame
- High-strength polyethylene shell is resistant to cracks, dents and rust for reduced maintenance
- Completely assembled and ready to install
- Includes ear saver
- Replaceable heavy duty cast point to reduce damage to dividers
- For all 2400/3400 series Corn heads—20"-22", 30", 36"-38" and 70 cm

Divider Assemblies

PART NO.	DESCRIPTION
86620219	INNER 20" - 22"
86620220	INNER 30"
86620221	INNER 36" - 38"
86620222	INNER 70 CM.
86620218	OUTER - ALL ROW SPACINGS

Hood Assemblies

PART NO.	DESCRIPTION
86620223	INNER 20" - 22"
86620224	INNER 30"
86620225	INNER 36" - 38"
86620226	INNER 70 CM.
86620217	OUTER LH - ALL ROW SPACINGS 2200 SERIES
86620216	OUTER RH - ALL ROW SPACINGS 2200 SERIES
86978714	OUTER LH - ALL ROW SPACINGS 2400 SERIES
86978715	OUTER RH - ALL ROW SPACINGS 2400 SERIES



Ear Saver Kit
Part No. B95582

Stainless Steel Repair Kit

- Kit includes stainless steel repair patches, hardware, and I-sheets
- Kit is designed to extend the service life of corn head poly hoods

Application: 2400/3400 Series Corn Heads

PART NO.	DESCRIPTION
87528030E	OUTER ROW KIT
87528033E	INNER ROW KIT - REQUIRES TWO PER INNER HOOD
87528034E	6-ROW KIT
87528035E	8-ROW KIT (SHOWN)
87528036E	12-ROW KIT



Part No. 87528035E

COMBINE KITS

FEEDER KITS

Feeder Chain Selection, 2008 & earlier - "U" shape slat

PART NO.	DESCRIPTION	APPLICATION
87283358	CHAIN W/SERRATED SLATS	NON-ROCK TRAP MODELS
87283359	CHAIN W/SMOOTH SLATS	NON-ROCK TRAP MODELS
87283356	CHAIN W/SERRATED SLATS	ROCK TRAP MODELS
87283357	CHAIN W/SMOOTH SLATS	ROCK TRAP MODELS
87283349	CONNECTOR LINK	
87283350	OFFSET LINK	
87283351	ROLLER LINK	

Feeder Chain – 2009 & Later - "U" Shape Slat

Available September 2009

PART NO.	DESCRIPTION	APPLICATION
84179639	CHAIN ASSEMBLY W/ SERRATED SLATS	ROCK TRAP MODELS
84179642	CHAIN ASSEMBLY W/ SERRATED SLATS	NON-ROCK TRAP MODELS
87646014	CHAIN INNER	ROCK TRAP
87646003	CHAIN INNER	NON-ROCK TRAP
87625522	CHAIN OUTER	ROCK TRAP
87625524	CHAIN OUTER	NON-ROCK TRAP
84179662	SERRATED SLAT	ALL

Feeder Chain Selection - "Z" shape slat

PART NO.	DESCRIPTION	APPLICATION
87646005	CHAIN ASSEMBLY W/ SERRATED SLATS	20 SERIES MACHINES W/ NON-ROCK TRAP MODELS
87646015	CHAIN ASSEMBLY W/ SERRATED SLATS	20 SERIES MACHINES W/ ROCK TRAP MODELS
87617002	SLAT	ALL MODELS OF 10 SERIES MACHINES

Heavy Duty #557 Chain w/Chrome Pin

- Heavy-duty rolled formed slats for maximum strength
- Replaceable (U-shape) bolt-on slats
- Choice of smooth or serrated slats
- Grade 8 Hardware

Part No. 87283358



Feeder Chain Slat Kit – 2008 & prior

PART NO.	DESCRIPTION
87297730	SERRATED SLAT KIT (SHOWN) - U-SHAPE
87297731	SMOOTH SLAT KIT - "U" -SHAPE

Feeder Chain Slat Kit – 2009 & Later

PART NO.	DESCRIPTION
73340434	SERRATED SLAT KIT -"U"-SHAPE

Feeder Chain Link Kits – 2009 & Later

PART NO.	DESCRIPTION
73340430	OFFSET LINK KIT INCLUDES 2 LINKS
73340431	CONNECTOR LINK KIT INCLUDES 2 LINKS

Feeder Chain – W/Full Width Slats

- For tougher harvest conditions
- Can be used with new Spring Tension front drum kit part number 84182198
- Model year 2008 & earlier

PART NO.	DESCRIPTION	APPLICATION
87625521	SERRATED FULL WIDTH "Z" SHAPED SLATS	COMBINES WITH ROCK TRAP
87625520	SERRATED FULL WIDTH "Z" SHAPED SLATS	COMBINES W/O ROCK TRAP

Feeder Chain Roller Kit

- Designed to help disengage the feeder chain off the feeder chain sprockets
- Reduces the feeder chain weight on the chain slides
- Greatly reduces feeder housing noise and vibration
- Improves chain life

Part No. 87298321 - AFX 7010, 8010 Combines
Non-Rock Trap Models

Part No. 73340166 - 7120, 8120, 9120 Combines
Non-Rock Trap Models





COMBINE KITS

FEEDER KITS



Chain Guide Kit

- Four metal bands
- Designed to weld to feeder drum to keep the feeder chains in position

Part No. 87635125



Bearing Kit - Feeder Drum Drive/ Rock Trap Drive

- Handy service pack
- Kit includes: bearing, locking collar, and hardware

Part No. 87297733



Bearing Kit - Feeder Idler Drum

- Handy service pack
- Kit includes bearings and flanges
- Also available in a spring loaded version for 2008 and later

Part No. 87297734



Front Drum Spring Tension Kit

Features & Benefits:

- Installed kit provides more consistent chain tension
- Easier to adjust the chain tension
- Gauge on each side to show position of the lower drum
- Reduced chain jumping and damage to feeder chain
- Heavy-duty components
 - Feeder drum with shaft and bearings
 - Drum arms

Part No. 84182198

COMBINE KITS

FRONT DRUM SPRING TENSION KIT FOR 7010/8010 SERIES COMBINES



Feeder Drum Spring Kit For Heavy-Duty Drum

- Kit includes spring, spacer, rod and hardware
- For 7120-9120 & machines updated with front drum spring tension kit

Part No. 73340435



Bearing Kit For Heavy-Duty Drum

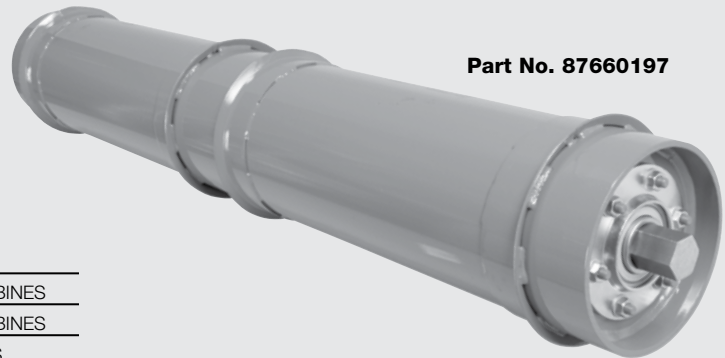
- Kit included bearings (2), flanges (4) and hardware
- For 7120-9120 combines & earlier models updated with front drum tension kit - part number 84182198

Part No. 73340433

Complete Drum Assembly

- Includes drum, shaft and heavy-duty bearings
- For 2008 & later combines and combines updated with kit - part number 84182198

PART NO.	DESCRIPTION	APPLICATION
87660197	TUBE ASSEMBLY	7010 AND 8010 COMBINES
87660207	DRUM	7010 AND 8010 COMBINES
87640483	DRUM	20 SERIES COMBINES



Part No. 87660197



Part No. 87660207

FEEDER KITS

Feeder Rock Trap Conversion Kit

- Converts a non-rock trap feeder to a rock trap feeder
- Kit includes Beater, Feeder, Floor, Door, Bearings, Friction Style Gearbox, Sprockets, Hardware & Instructions
- For all 8010 Models without a factory installed rock-trap



Part No. 87553555 - Model Year 2008 & Earlier
Part No. 87730303 - Model Year 2009 & Later

Non-Stone Trap Conversion Kit

- Converts stone trap combines to a non-stone trap. Kit includes gear box, chain, extension, floors, cover

PART NO.	APPLICATION
87553554	MY 2008 & OLDER COMBINES
87730302	MY 2009 & NEWER COMBINES



Perforated Feeder Floor

- Recommended for harvesting edible beans
- Perforated floor will allow small dirt & trash particles to fall through prior to the threshing area

Part No. 84084681



Part No. 84083570

Feeder Lateral Tilt

- Components to convert a fixed feeder to a feeder with lateral tilt
- Kit is designed to improve harvesting of all varieties over uneven terrain
- Kit includes Feeder Face, Mounting Brackets, hydraulics, Sensor and installation instructions

Part No. 87281928 - Model year 2004 & Prior

Part No. 84083570 - Model year 2005 +

Heavy-Duty Lateral Tilt Kit

PART NO.	APPLICATION
87715220	ALL MODELS

Heavy-Duty Lift Package

PART NO.	APPLICATION
87751028	HEAVY-DUTY LIFT PACKAGE FOR ALL MODELS FOR HEAVY HEADERS CYLINDER 75MM TO 90MM

Rock Trap Sump Cover Kit

- For rock trap models
- Can be used in non-rocky conditions to improve material flow into transition cone area

Part No. 84083485



COMBINE KITS

COMBINE LIGHTING KITS



HID Light Kit

- HID lamp assembly (2), wire harness (2), ballast(2), hardware and installation instructions
- This kit will add HID lighting to the AFX 8010 combines

Part No. 84084476

Deluxe Service Lighting Kit

- This kit will help the operator or service personnel when extra lighting is required
- The work lights are positioned to illuminate the concave section of the rotor, belt and pulley areas of the combine
- Two switches control five (5) lamps

Part No. 84083977



Light Kit

- Handy service light
- Magnetic mount
- 33 Foot cord

Part No. 84059809



AFX ROTORS

INCREASED CAPACITY AFX ROTOR

It all starts up front with a 1/2" thick, AR235 steel, constant pitch impeller design, hardened in critical areas. The impellers provide increased throughput capacity, even crop flow, reduced noise levels and reduced parasitic horsepower loss.

The rotor skin is helical, wrapped to provide a more uniform roundness. This virtually eliminates the need to shim rasp bars in hard-threshing small grains. This design is also stronger and less susceptible to denting.

The rotor also features a large, cast, heat-treated drive hub. It bolts into the rear of a stronger rotor and eliminates the rubber bushings and coupler used on earlier models.

All this adds up to greater reliability and lower overall cost of ownership for the customer.



Rotor Selection - Standard Diameter Tube

PART NO.	DESCRIPTION	APPLICATION
87745163	COMPLETE ROTOR - 64 NON-SPIKED RASP BARS AND 8 SPIKED RASP BARS IN GRATE AREA	GRAIN, CORN, SOYBEANS, EDIBLE BEANS
87745154	COMPLETE ROTOR - 64 CHROME ALLOY RASP BARS AND 8 CHROME ALLOY SPIKED RASP BARS IN GRATE AREA	GRAIN, CORN, SOYBEANS, EDIBLE BEANS

Rotor Selection - Small Diameter Tube

PART NO.	DESCRIPTION	APPLICATION
87723898	COMPLETE ROTOR - 36 SPIKED CHROME ALLOY RASP BARS	RICE
87620394	COMPLETE ROTOR - 28 NON-SPIKED CHROME ALLOY RASP BARS AND 8 SPIKED CHROME ALLOY RASP BARS	GRAIN, CORN, SOYBEANS, EDIBLE BEANS

Rotor Impeller Kit

- 1/2" thick, AR235 steel
- Constant pitch impeller design
- Hardened in critical areas for longer service life

Part No. 87715003



Impeller Wear Bar Kit

- Extends the life of the impeller
- Kit includes two wear bars and mounting hardware

Part No. 87376702



Transition Cone

Heavy-duty transition cone with bolt-in stainless steel vanes

- One piece cone design
- Multiple, spiraling bolted-in stainless steel vanes to improve the transition of tough, long straw from the feeder into the rotor cage
- Vanes are securely fastened with forty-five (45) 3/8" T-bolts
- Recommended for all crops
- Standard-duty cone with welded vanes is also available – Part number 87106706



PART NO.	DESCRIPTION
87382439	FOR MODELS WITH ENHANCED CLEANING SYSTEMS
87390937	HEAT TREATED, EXTENDED WEAR, FOR MODELS WITH ENHANCED CLEANING SYSTEMS
87369361E	FOR MODELS WITH REGULAR CLEANING SYSTEMS

Vane Kit for Cone with Bolted-in Vanes

- 3/16" thick stainless steel vanes for extra strength and wear life
- 3/8" T-bolts
- These longer spiraling bolt-in vanes are designed to improve the transition of long tough straw from the feeder to the rotor cage.
- Part Number 87357276E Cone Vane kit with template to modify cones with welded vanes



Part No. 87298773 - Vane Kit

Part No. 73340436 - Vane Hardware Kit

COMBINE KITS

RASP BAR, RASP BAR KITS AND STRAIGHT BAR KITS

RASP BAR SERVICE PACK

- Four bar service kits for 7010-9120 rotors
- Weight sorted for improved rotor performance
- Kit includes four rasp bars and four 10.9 metric flange bolts
- Kits for all type specialty rasp bars- standard-duty bars and chrome alloy bars in both spiked and non-spiked configurations
- Specifically designed for your combine
- Performance, strength, wear-resistance and durability packaged for customer convenience



FOUR PACK SERVICE KIT

PART NO.	APPLICATION
87298166	STANDARD-DUTY RASP BAR
87298167	CHROME ALLOY BAR
87298168	CHROME ALLOY SPIKED BAR

Rasp Bar Bolt Kit

- 10.9 metric high strength flange bolts
- Kit includes 10 bolts
- Handy service pack for shop or combine tool box

Part No. 87297739



Standard Duty Rasp Bar

- Constructed from long-wearing nodular iron, then quenched and tempered to a specified hardness
- Rasps formed to shape for optimum threshing performance
- Specifically designed for your combine

Part No. 1309336C2 - Non-Spike (Shown)

Rasp Bar Kits

PART NO.	DESCRIPTION	APPLICATION
87297737	RASP BAR KIT - CHROME ALLOY RASP BARS	GRAIN/CORN/SOY-BEANS/EDIBLE BEANS
87297738	RASP BAR KIT - CHROME ALLOY SPIKED RASP BARS	RICE
87297740	RASP BAR KIT - STANDARD DUTY RASP BARS	GRAIN/CORN/SOY-BEANS/EDIBLE BEANS

- All rasp bars are weight sorted to improve rotor performance
- Kit includes 72 rasp bars and high strength 10.9 metric flange bolts



**Rasp Bar Kit
Part No. 87297737 Shown**

Straight Bar Kits

PART NO.	DESCRIPTION	APPLICATION
73340426	STRAIGHT BAR KIT - REGULAR DUTY. KIT INCLUDES 2-STRAIGHT BARS AND HARDWARE	GRAIN/CORN/SOY-BEANS/EDIBLE BEANS
73340428	STRAIGHT BAR KIT - EXTENDA-WEAR™ KIT INCLUDES 2- EXTENDA-WEAR™ STRAIGHT BARS AND HARDWARE	GRAIN/CORN/SOY-BEANS/EDIBLE BEANS/RICE



Extenda-Wear™ Rasp Bar Kits (cast chrome alloy)

- 18-23% Chrome for wear-resistance
- 10-50% Heavier than competitors rasp bar
- Thicker casting for improved toughness and wear – leading edge is 5/16" thicker plus added thickness in critical areas for improved toughness and wear resistance
- Reinforced ring around bolt hole for bolt head protection and improved bar strength (larger ring permits use of impact socket for installation)
- Face (leading edge) angle changed to enhance material flow and reduce rock damage to edge
- Tapered radius in corners to prevent cracks
- Individual bars (refer to photos for spiked and non-spiked)



**Spiked
Part No. 278820A4**



**Non-Spiked
Part No. 278821A2**

COMBINE KITS

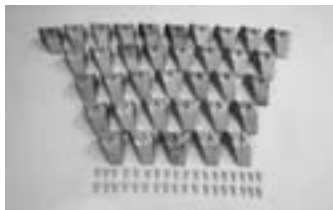
SMALL TUBE ROTORS

ROTORS, RASP BARS, SEPARATOR BAR KITS

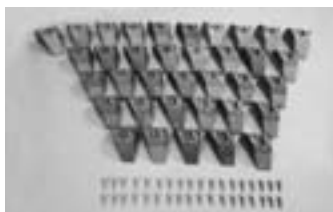
- Small Tube (ST) rotor is standard for rice and optional for small grains producers
- Provides increased productivity in tough harvest conditions
- Smaller diameter and taller rasp bars let more tough rice straw work its way through the entire length of the rotor
- Crop feeds **more evenly**
- **More crop-on-crop** threshing opportunity
- Recent improvements enable: **Higher grain quality** in tough threshing conditions

Extenda-Wear™ Rasp Bar Kits (cast chrome alloy)

- 18-23% Chrome for wear-resistance
- 10-50% Heavier than competitors rasp bar
- Thicker casting for improved toughness and wear – leading edge is 5/16" thicker plus added thickness in critical areas for improved toughness and wear resistance
- Reinforced ring around bolt hole for bolt head protection and improved bar strength (larger ring permits use of impact socket for installation)
- Face (leading edge) angle changed to enhance material flow and reduce rock damage to edge
- Tapered radius in corners to prevent cracks
- Individual bars (refer to photos for spiked and non-spiked)



Part No. 73340419



Part No. 73340423

Small Tube Rotors

PART NO.	DESCRIPTION	APPLICATION
87723898	COMPLETE ROTOR 36 SPIKED CHROME ALLOY RASP BARS	RICE
87620394	COMPLETE ROTOR 28 NON-SPIKED CHROME ALLOY RASP BARS	GRAIN/CORN/SOY-BEANS/EDIBLE BEANS



Rasp Bar Spiked
Part No. 87368806



Rasp Bar Non-Spiked
Part No. 87368807



Straight Separator Bar
Part No. 87602594

Rear Kicker Plate Kit

PART NO.	DESCRIPTION
73340424	KIT INCLUDES 2 PLATES, 6 BOLTS & NUTS



Rasp Bar Service Pack

- Two bar service kits for AFX 7010-9120 rotors
- Weight sorted for improved rotor performance
- Kit includes two rasp bars and four 10.9 metric flange bolts
- Kits for all type specialty rasp bars-standard-duty bars and chrome alloy bars in both spiked and non-spiked configurations
- Specifically designed for your combine
- Performance, strength, wear-resistance and durability packaged for customer convenience

Part No. 73340417 - 3 Pack Separator Bar Kit

Part No. 73340418 - 2 Pack Rasp Bar Kit - Spiked

Part No. 73340422 - 2 Pack Separator Bar Kit - Non-spiked



Part No. 73340417



Part No. 73340418



Part No. 73340422

Complete Rasp Bar Kits

Kit Includes Rasp Bars and 10.9 Bolts

PART NO.	DESCRIPTION	ROTOR	APPLICATION
73340419	COMPLETE RASP BAR KIT-SPIKED BARS - (36 SPIKED RASP BARS AND 10.9 BOLTS)	87723898	RICE
73340423	COMPLETE RASP BAR KIT - (28 NON-SPIKED RASP BARS & 8 SPIKED RASP BARS AND 10.9 BOLTS)	87620394	GRAIN/CORN/SOY-BEANS/EDIBLE BEANS

COMBINE KITS

EXTENDA-WEAR ROTOR CAGE STAINLESS STEEL TRANSPORT VANE KIT

- Increased thickness 3/16" – 50% thicker
- Stainless steel material
- The combination of thicker material and more wear-resistance material provides longer service life



Rotor Cage Vane Kits

For rotor cage with vanes on right side of cage (shown) Models 2005 and prior:

Part No. Metric Hardware 84084818

For 2006 rotor cages

Eleven long vanes with hardware:

Part No. English Hardware 87298775

Part No. Metric Hardware 87298776



Stainless Steel Cage Repair Kits

T-bolt kit

- 10 bolts and 10 nuts
- Handy uptime pack

Part No. B95908 - 3/8" x 1-1/2"

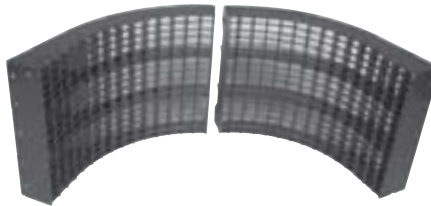
Part No. B96425 - 3/8" x 1-1/8"

Front Rotor Module Recommendations

Rotor module recommendations are as follows:

Front positions

- Grain, small wire 3/16" heat treated
- Corn/Rice, large wire 1/4"
- Rice, large wire 1/4" heat treated
- Edible beans, slotted



Module Rotor Module Options

Rear rotor modules are also a two, two-piece design, nonadjustable, with only two bolts each for removal.

Rear positions

- Large skip wire for corn/soybeans/small grain and rice*
- Slotted for edible beans

Solid rotor modules are available through service parts and are recommended for confectionery sunflowers and other very dry high MOG conditions where it is important to prevent MOG from overloading the cleaning system.

* Large skip wire rotor modules are the same as large wire front modules (code PC) but 1/2 the wires have been removed. Customers can add or remove wires to better control rotor loss and/or MOG load on cleaning system.

Module Options

PART NO. LH	PART NO. RH	MODULE DESCRIPTION	POSITION
87282761	87282764	ROTOR MODULE, ROUND BAR	FRONT
86976416	86976414	ROTOR MODULE, LARGE WIRE 1/4" DIA. HEAT TREATED	FRONT
86999090	86999097	ROTOR MODULE, LARGE WIRE 1/4" DIA.	FRONT
87000772	87000774	ROTOR MODULE, SLOTTED	FRONT
86976420	86976418	ROTOR MODULE, SMALL WIRE 3/16" DIA. HEAT TREATED	FRONT
87109198	87109201	ROTOR MODULE, LARGE SKIP WIRE	REAR
87106651	87106653	ROTOR MODULE, SOLID	REAR

Heat Treated Round Bar Module Kit

PART NO. LH	
87298940	INCLUDES BOTH LH AND RH MODULES

Rotor Cage Kit

- Wear-resistant AR235 steel for longer service life – Part number 87393080E
- Complete with stainless steel vanes and high-strength T-bolts
- Eleven (11) long vanes with three retaining bolts are installed in this cage kit
- This new vane configuration (seven on the left side plus two in the RH front and RH rear) is designed to reduce rotor power consumption and improve service life for threshing system components
- Using a genuine Case IH rotor cage kit is highly recommended for optimum performance of your combine
- Factory cage configuration on 2006 and later models

Cage Kit Standard Wear Vanes - Metric Hardware

Part No. 87393080E

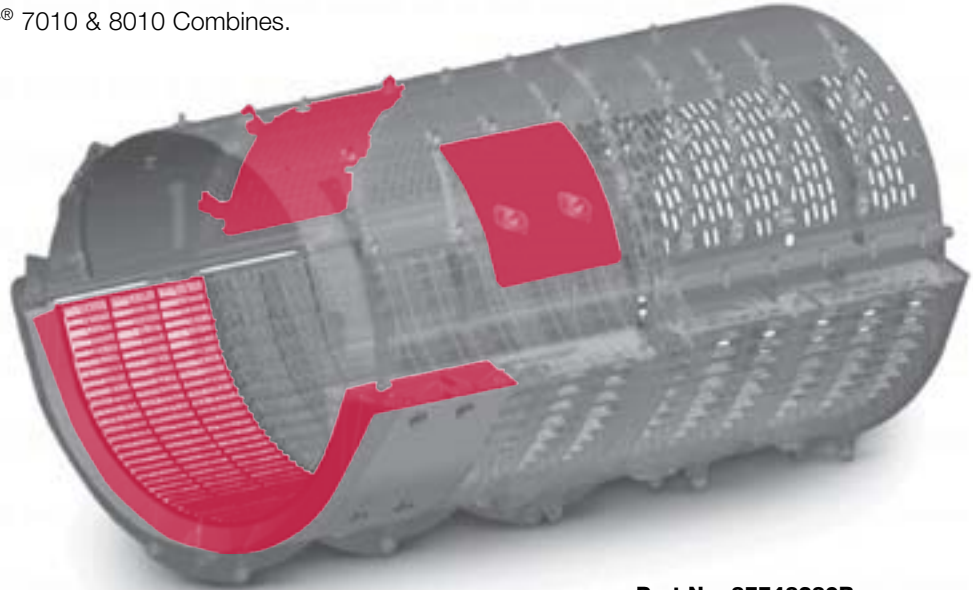
Cage Kit Extenda-Wear™ Vanes - Metric Hardware

Part No. 87391297

COMBINE KITS

HARD TO THRESH MODULE KIT

Improved Threshing Performance in Hard Thresh Conditions in Cereal Crops for the Axial-Flow® 7010 & 8010 Combines.



Part No. 87748389B

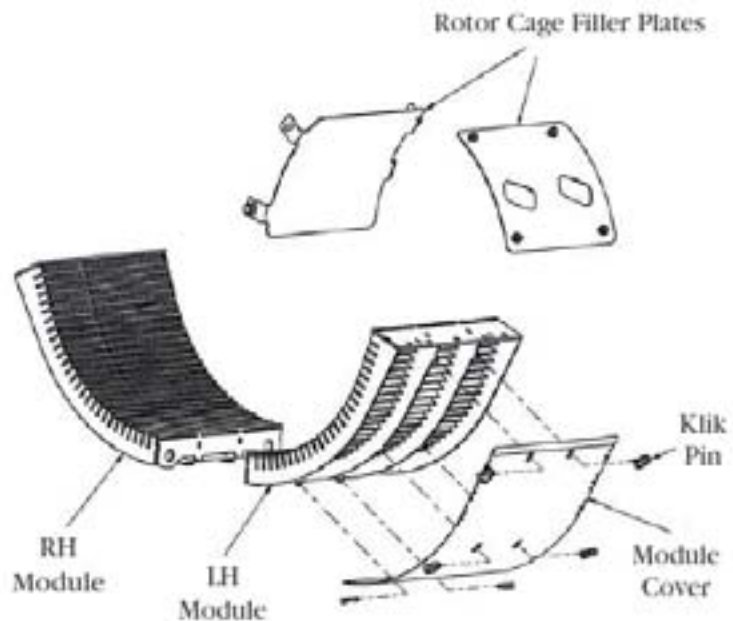
Shown in cage - cage not included in kit.

RASP BAR SERVICE PACK

1. More rub bars and closer wire spacing limit grain separation over standard small grain modules. This allows for increased threshing time to allow for release of the grain kernel from the stalk of the plant.
2. The two included configurable awning plates block grain separation 100% meeting extreme hard thresh conditions.
3. The hard thresh kit is not intended to replace small wire modules in all cereal grain application.
4. The hard thresh kit or hard thresh kit with awning plates are recommended for difficult threshing conditions only.
5. Kit also includes rotor cage covers that block off the perforated area in the #1 and #2 module position to prevent unthreshed heads from being thrown out of the rotor cage before being properly threshed.

Kit and Components

PART NO.	DESCRIPTION
87748389B	HARD TO THRESH KIT
87741402	LH CONCAVE
87741400	RH CONCAVE
87584185	ROTOR CAGE FILLER PLATE KIT - FRONT
84084762	ROTOR CAGE FILLER PLATE KIT - REAR
87748386	COVER & 12 CLIP PINS (270184)



COMBINE KITS

CLEANING SYSTEM KITS / GRAIN HANDLING KITS



Lower Shoe Shaker Arm Bushing Kit

- Handy service pack
- Includes 4 bushings and hardware
- Genuine Case IH components

Part No. 87297749



Lower Shoe Shaker Arm Deluxe Kit

- Handy service pack
- Includes bushings, housing and hardware
- Genuine Case IH components

Part No. 87297750



Cross Flow Fan Bearing Kit

- Includes bearings, flanges, and hardware
- Genuine Case IH components

Part No. 87297757 - Left hand

Part No. 87297756 - Right hand (shown)



Upper Shaker Shoe Bushing Deluxe Kit

- Handy service pack
- Includes bushings, housing and hardware
- Genuine Case IH components

Part No. 87297759



Upper Shaker Shoe Bushing Kit

- Handy service pack
- Includes 6 bushings
- Genuine Case IH components

Part No. 87297758



Clean Grain Bearing Kit - (RH)

- Handy service pack
- Includes bearings, flanges, collar and hardware

Part No. 87297743

Clean Grain Bearing Kit - (LH)

- Handy service pack
- Includes bearing, flanges, collar and hardware

Part No. 87297742



Bubble Up Auger Bearing Kit

- Handy service pack
- Includes bearing, flanges, and hardware

Part No. 87297746



GRAIN HEADING KITS

Bearing Kit - Bottom Clean Grain Elevator

- Kit includes flange, bearing and mounting hardware
- Handy service pack for shop or tool box

Part No. 73340443



ELEVATOR CHAIN W/SPROCKETS

- Clean grain elevator chain
- Sprockets & Key

Part No. 73340432



Auger Bearing Kit - Grain Tank - Front

- Bearing & flanges for one grain tank auger
- Application front section

Part No. 73340439



Auger Bearing Kit - Grain Tank - Rear

- Bearing & flanges for one grain tank auger
- Application rear section

Part No. 73340442



Auger & Bearing Kits - Grain Tank

- Kit includes two augers, bearings, flanges & mounting hardware
- Available with Standard wear or Extenda-Wear™ augers

PART NO.	DESCRIPTION
73340440	KIT WITH STANDARD WEAR AUGERS (SHOWN)
73340441	KIT WITH EXTENDA-WEAR™ AUGERS



Part No. 73340440

COMBINE KITS

ROTARY AIR SCREEN KITS

Front Section

- New screen design for improved performance
- Durable construction
- Includes screen and clips

Part No. 87301194 - Fine Mesh

Part No. 87301195 - Coarse Mesh



Side Section

- New screen design for improved performance
- Durable construction
- Includes screen and clips

Part No. 86988943 - Fine Mesh

Part No. 86988941 - Coarse Mesh



Rotary Air Screen Brush Kit

- Rotary air screen brush kit
- Includes brushes and hardware

Part No. 87297724



Screen Clip Kit

- Ten clips in card pack
- Used to install front and side screens

Part No. 87297723



ROTARY AIR SCREEN WEAR STRIP KIT

- Wear strip kit includes wear strip, hardware, and instructions to replace the wear strip on the plastic rotary air screen
- Inspection of the wear strip is strongly recommended after the first 200 hours of engine operation and then at approximately 50 hour intervals
- Replace this wear strip if any black from the rotary air screen is visible
- Regular inspection of this wear strip and replacement as required can prevent excessive damage to the entire rotary air screen

Part No. 87302735



Brush/Seal Kit

- External outside perimeter for RAS kit consists of (3) Brushes/Seals and 36 pop rivets

Part No. 73340447



External Brush Kit

- Designed to remove debris/trash/chaff from the RAS
- Kit consist of brush & mounting hardware

Part No. 73340448



Rotary Internal (RAS) Cleaning Brush Kit

- Kit includes two brushes and mounting brackets & hardware

Part No. 84111565



COMBINE KITS

GRAIN HANDLING KITS/CLEANING SYSTEM

Grain Handling Kits

Perforated tailings & clean grain auger troughs & elevator door with round holes

- Kit includes auger troughs and elevator door

Part No. 84084680



Clean Grain Elevator and Grain Tank Cross Auger Slow Down Kit

- Kit includes sprockets, pulley, sheave
- Kit is designed to reduce the speed of the front grain tank cross auger and the clean grain elevator

Part No. 84084386

Part No. 87753906 (pulley and sheave only)



Unloading Auger Extension, 3'

- For use w/18' unloading auger only
- Kit includes 3' tube and auger, bearing, hub and mounting components and hardware

Part No. 86521287 - Black STD. Wear

Part No. 87471942 - Red STD. Wear

Part No. 87471943 - Red EXT. Wear

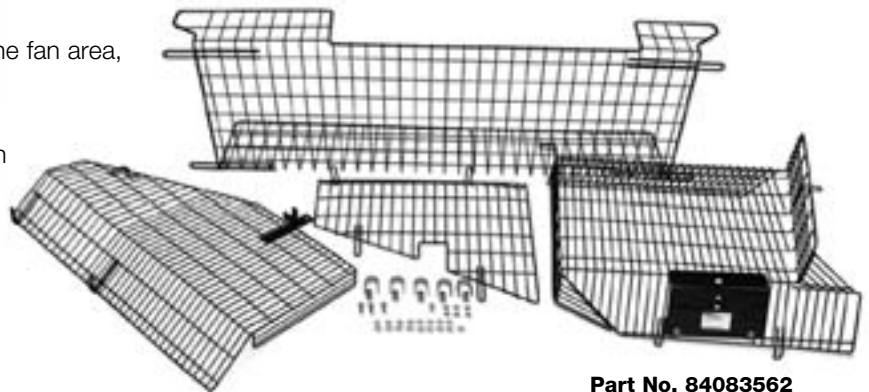


Cleaning Fan Bottom Shield Kit

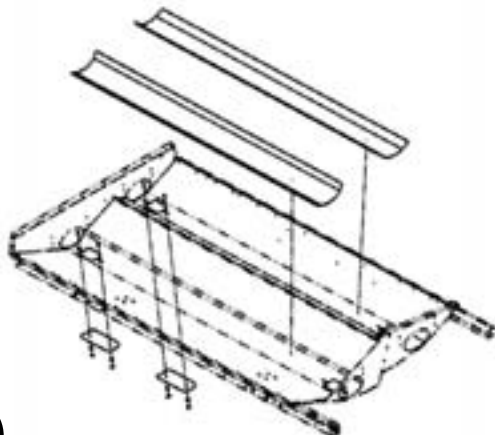
- Designed to prevent crop residue from entering the fan area, damaging the fan, and plugging the fan ductwork
- Kit includes the shields and mounting hardware
- Highly recommended for combines harvesting corn and mild crops

Part No. 84083562 (2003/2004 models) (shown)

Part No. 84083564 (for model year 2005)



Part No. 84083562



Grain Tank Extended-Wear Auger Trough Kit

- Stainless steel extended-wear trough liners, mounting hardware, and two clean-out doors
- Kit is designed to extend the life of the grain tank
- Grain tank bottom is shown for position only

Part No. 87315135

Stainless Steel Trough Liners

Order 2 of part number 87662984 (Stainless Steel Trough Liners)

COMBINE KITS

GRAIN HANDLING KITS/CLEANING SYSTEM

Deluxe Hard-to-Thresh Kit

- Designed to process hard to thresh grain that is not threshed in the rotor area
- The cross auger trough has expanded metal applied and the processor door has a rough surface to aggressively process the remaining hard to thresh heads
- Kit includes auger trough with expanded metal surface and processor door with a rough surface



Part No. 84083561 (Shown)

Part No. 87743231 - Hard to thresh kit long wrap extension mid year 2008 rice. All 2009.

Hard-To-Thresh Cross Auger Trough Kit

- Designed to process hard to thresh grain
- The cross auger trough has expanded metal applied to aggressively process the remaining hard to thresh heads

Part No. 87283418



COMBINE SIEVE SELECTION

Presieve

PART NO.	DESCRIPTION
87109815	SIEVE, PRE-CLEANER, 1-1/8" ADJUSTABLE - 52"
87109817	SIEVE, PRE-CLEANER, 1-1/8" ADJUSTABLE - 62"
87109819	SIEVE, PRE-CLEANER, 1-5/8" CORN SLAT ADJUSTABLE - 52"
87109821	SIEVE, PRE-CLEANER, 1-5/8" CORN SLAT ADJUSTABLE - 62"
87109824	SIEVE, PRE-CLEANER, 1-5/8" CLOSZ SLAT ADJUSTABLE - 52"
87109826	SIEVE, PRE-CLEANER, 1-5/8" CLOSZ SLAT ADJUSTABLE - 62"

Upper Sieve

PART NO.	DESCRIPTION
84084985	SIEVE, 1-1/8" UPPER - 52"
84084984	SIEVE, 1-1/8" UPPER - 62"
84084982	SIEVE, 1-1/8" PETERSON UPPER - 52"
84084981	SIEVE, 1-1/8" PETERSON UPPER - 62"
84084662	SIEVE, 1-5/8" CORN SLAT ADJUSTABLE UPPER - 52"
84084664	SIEVE, 1-5/8" CORN SLAT ADJUSTABLE UPPER - 62"
84084323	SIEVE, 1-5/8" CLOSZ SLAT UPPER - 52"
84084324	SIEVE, 1-5/8" CLOSZ SLAT UPPER - 62"

Lower Sieve

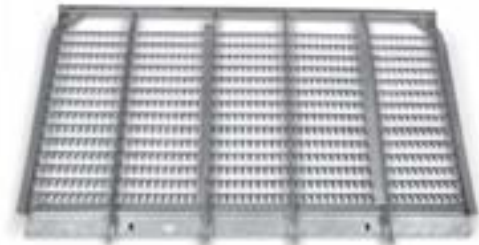
PART NO.	DESCRIPTION
84084325	SIEVE, 1-1/8" ADJUSTABLE LOWER - 52"
84084326	SIEVE, 1-1/8" ADJUSTABLE LOWER - 62"
84084327	SIEVE, 1-5/8" CLOSZ SLAT ADJUSTABLE LOWER - 52"
84084328	SIEVE, 1-5/8" CLOSZ SLAT ADJUSTABLE LOWER - 62"

Round Hole Sieve

PART NO.	DESCRIPTION
84084506	SIEVE, CHAFFER ROUND HOLE 2.5MM - 52"
84084507	SIEVE, CHAFFER ROUND HOLE 2.5MM - 62"
84084510	SIEVE, CHAFFER ROUND HOLE 10MM - 52"
84084511	SIEVE, CHAFFER ROUND HOLE 10MM - 62"
9560145	SIEVE, CHAFFER ROUND HOLE 16MM - 52"
9560147	SIEVE, CHAFFER ROUND HOLE 16MM - 62"
9560146	SIEVE, CHAFFER ROUND HOLE 18MM - 52"
9560148	SIEVE, CHAFFER ROUND HOLE 18MM - 62"

Sieve Frame Only

PART NO.	DESCRIPTION
742134	SIEVE, ROUND HOLE FRAME - 52"
742135	SIEVE, ROUND HOLE FRAME - 62"



Pre-cleaner sieve



Upper sieve



Sieve with finger kit

COMBINE KITS

RESIDUE MANAGEMENT KITS



Rotating Straw Chopper Knife Kit

- For 4 mounts with fine cut configuration
- For 8 mounts with coarse cut configuration
- Includes 8 knives and hardware

Part No. 87297764



Fixed Straw Chopper Knife Kit

- Complete set

Part No. 87297767 - Coarse cut

Part No. 87297768 - Fine cut (shown)

Rotating Straw Chopper Knife Kit

- For fine cut place on opposing mounts
- Includes knives (4) and hardware

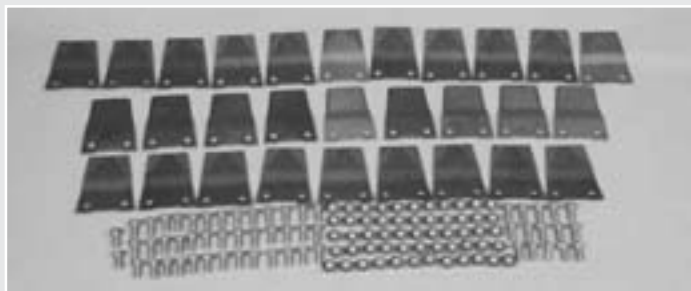
Part No. 87297766



Rotating Straw Chopper Knife Kit

- For coarse cut - place on opposing mounts
- Includes 2 knives and hardware

Part No. 87297765



Rotating Straw Chopper Knife Kit

- Complete set
- Hard surfaced for longer wear life

Part No. 87297762 - Fine cut

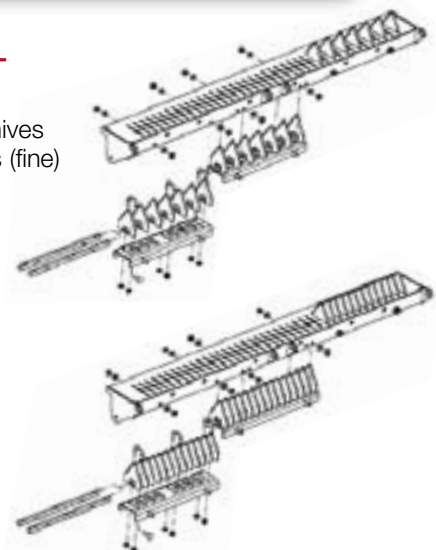
Part No. 87297877 - Coarse cut (shown)

Fixed Chopper Knife Assembly - STD. Chopper

- Includes Bar & Twenty-one (21) Knives (coarse), and Forty-two (42) Knives (fine)
- Easy to assemble

Part No. 87670026 - Course Cut

Part No. 87670027 - Fine Cut



Fixed Chopper Knife Assembly for 3x3 Integrated Chopper

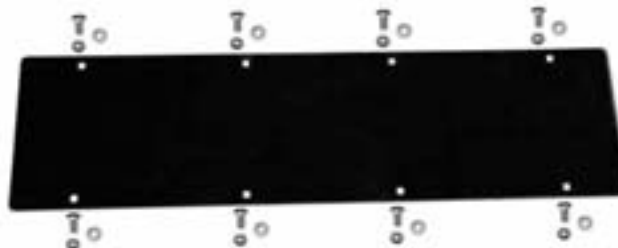
- Fixed knife assembly (20 knives)

Part No. 87746842 - Standard Cut

Chopper Grate Cover

- Kit designed to cover the open grate of the feed chopper fan
- Kit includes plate and mounting
- Hardware application – 7120-9120 model year 2008 & later

Part No. 73340388



COMBINE KITS

COMPLETE CHOPPER ASSEMBLY WITH BEARING KIT

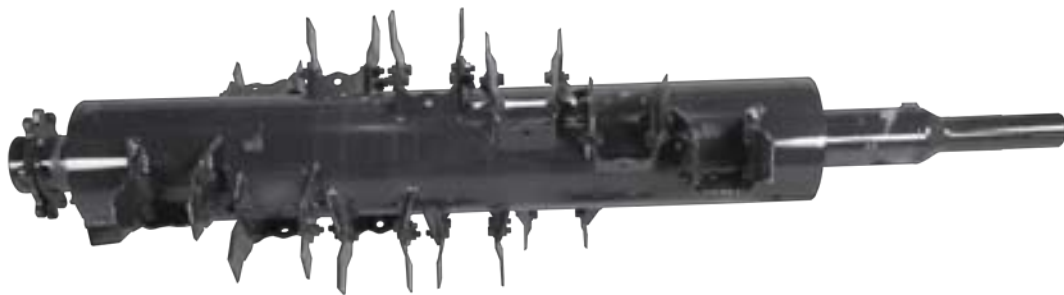
Straw Chopper Kit – Fine Cut

- Complete straw chopper service kit is available for machines that require a replacement rotor
- Kit includes rotor with mounted blades, heavy-duty bearing, and mounting hardware. The complete rotor is factory balanced for smooth performance
- Available in standard cut (28 blades) or fine cut (56 blades)

Part No. 87298771

Straw Chopper Kit – Standard Cut (28 blades)

Part No. 87298770 (shown)

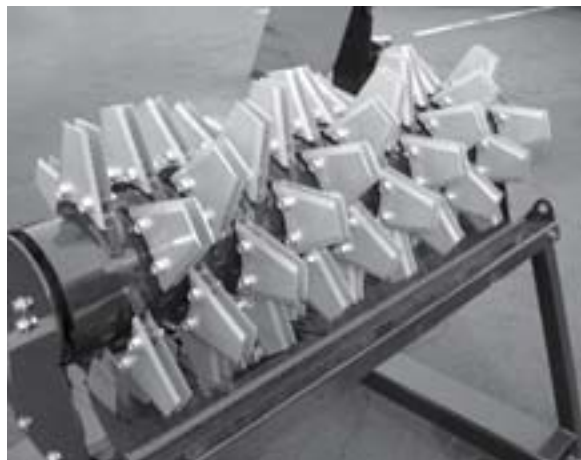


THE VERSATILE MAGNACUT CHOPPER

- The versatile Magnacut Chopper option for the Axial-Flow 20 series provides unparalleled chopping performance in the heaviest of crop
- Complete-ready to install

Part No. 87623600 - 126 Knife

Part No. 87702635 - 63 Knife



MAGNACUT 3 X 3 ROTATING KNIFE KIT

- Kit includes knives and hardware

Part No. 84141246



BEARING KIT – CHOPPER ROTOR

- Three heavy-duty bearings
- Mounting hardware

Part No. 84174156



MOISTURE TESTERS - GRAIN



Part No. 73340406

MOISTURE TESTERS – GRAIN

Portable Grain Kit

The Portable Grain Kit includes the MT-16 Grain Moisture Tester that features direct readouts for 16 grains. The portable hanging grain scale determines the test weight of different varieties of grain. It also measures bin capacities and feed quality. Metric or standard weights. 15.5" long. Capacity: 15 to 70 lbs. per bushel, 20 to 90 kg per hectoliters.

Kit Includes

- MT-16 Grain Moisture Tester
- Grain Test Weight Scale
- Sturdy Carry and Storage Case
- Complete Instructions
- Two 9V Alkaline Batteries
- Two year limited warranty



Part No. 73340415

MOISTURE TESTERS – GRAIN

GMTGrind™ Grain Moisture Tester

Fast and accurate solution for determining the moisture content of 17 different grains – barley, winter barley, wheat, buckwheat, oats, rye, triticale, peas, corn, beans, rapeseed (canola), sunflower, linseed, white mustard, red clover, white clover, ryegrass – before, during and after harvest.

Features

- New, more accurate grinding test cell
- Smallest sample size of any portable tester
- Sturdy carry and storage case
- Easy-to-read LCD display
- Measuring range: 0°C to 50°C
- Display of battery voltage
- Two year limited warranty



Part No. B96650

MT-16 GRAIN MOISTURE TESTER

Features

- Direct readout for 16 grains: Barley, Canola, Corn, Flax, Oats, Rice (2), Sorghum, Soybeans, Sunflower (2) & Wheat (4)
- Each scale can be adjusted to match local elevator
- Automatically averages up to 99 test results
- Repeatability in normal range of stored grain within 0.5% of air-oven standard. Higher-frequency, capacitive circuit improves accuracy
- Includes sturdy carrying case with strap
- 2-year warranty in North America, 1-year overseas



Part No. B96649

MT-PRO™ MULTI-GRAIN, MULTI-LANGUAGE, GRAIN MOISTURE TESTER

Features

- 39 grain scales
- Information displays in 7 languages: English, French, German, Spanish, Portuguese, Italian, & Swedish
- Multi-Point™ adjustable calibration
- Averaging capability displays running average of tests
- Back lighted display
- Higher-frequency, capacitive circuit improves accuracy
- Enhanced temperature compensation circuit
- Optional carrying case - Part Number 87297026

RELATED HARVESTING PARTS

MOISTURE-MAX & MOISTURE-MAX PLUS



Part No. B95379

MOISTUREMATCH™ Grain Tester

Features

- Large Graphic LCD shows multiple readouts and on-line instructions. Backlit for night use.
- Averaging Capability displays the last six test results and running average of tests. Individual results can be deleted.
- 33 Grain scales
- MOISTUREMatch Technology – user selects from one of five options: Motomco 919, Motomco 919E, DICKEY-john GAC 2000, Labtronic (Canada), Industry Standard.
- Compaction Sensor Technology displays moisture automatically when optimum grain compaction threshold is reached.
- Larger Test Cell for more representative sample.
- EZ-Fill Grain Scoop makes filling test cell quick and clean. Stores inside test cell between uses.
- Molded Hand Grip for safe & comfortable operation.
- Computer Interface for updating moisture scales and software upgrades. RS 232 serial port uses standard computer serial cable (not included).
- Optional Carrying Case - Part Number B95380

THE WORLD'S MOST ACCURATE HANDHELD GRAIN MOISTURE ANALYZER.

The Case IH Moisture-Max and Moisture-Max plus grain moisture analyzers are the first handhelds with “grain trade” accuracy.

Two versions are available:

- Moisture-Max - for highly accurate moisture testing

Part No. 87299137

- Moisture-Max plus - the ONLY handheld moisture tester that measures accurate test weight

Part No. 87299138

Using U.S. Federal Standard Technology

DICKEY-john's technology in the Moisture-Max and Moisture-Max plus is based on the GAC2100b, the U.S. federal grain standard.

Unsurpassed Benefits for Farming

Whether you're harvesting, storing or trading grain, nothing is more important to its value than its moisture content and test weight.

With the Moisture-Max plus you can measure moisture and test weight and it's:

- Fast
- Easy
- Accurate

... and no screw cap which can damage grains, create oily residue and are cumbersome to use.



Part No. 87299137 - Case IH Moisture-Max

Part No. 87299138 - Case IH Moisture-Max Plus

Moisture-Max and Moisture-Max Plus features include:

- Menu-driven operating system
- An internal scale (no pre-weighing)
- USB compatibility for calibration loading
- Test weight readout (Moisture-Max plus)
- Used for over 450 grains and products
- Automatic temperature compensation

LUBRICANTS AND FILTERS

AFX 7010, 8010, 8120 & 9120 COMBINES

FILTERS FOR AFX 7010, 8010, 8120 & 9120 COMBINES

MODEL	ENGINE OIL	FUEL	HYDRAULIC	AIR	CAB
7010 AXIAL-FLOW COMBINE (2/07-9/08)	84818743	87592170 (FUEL /WATER SEPARATOR) 504199551 (ENGINE MOUNTED)	254353A1 (HYDRO PRESSURE) 277311A1 (IN-LINE) 294721A1 (RETURN)	86998333 (O) 86998332 (I)	84036676 (FRESH AIR) 84058793 (RECIRCULATING)
8010 AXIAL-FLOW COMBINE (9/06-9/08)	84818743	84818745 (ENGINE MOUNTED) 87343033 (FUEL /WATER SEPARATOR)	254353A1 (HYDRO PRESSURE) 277311A1 (IN-LINE) 294721A1 (RETURN)	86998333 (O) 86998332 (I)	84036676 (FRESH AIR) 84058793 (RECIRCULATING)
7120 AXIAL-FLOW COMBINE (9/08-)	84818743	87592170 (FUEL /WATER SEPARATOR) 504199551 (ENGINE MOUNTED) 87409379 (ADDITIONAL FUEL ELEMENT) 86999949 (AIR VENT FILTER)	254353A1 (HYDRO PRESSURE) 277311A1 (IN-LINE) 294721A1 (RETURN) 87000622 (FILL NECK BAFFEL)	86998333 (O) 86998332 (I)	84036676 (FRESH AIR) 84058793 (RECIRCULATING)
8120 AXIAL-FLOW COMBINE (9/08-)	84818743	84818745 (ENGINE MOUNTED) 87343033 (FUEL /WATER SEPARATOR) 87409379 (ADDITIONAL FUEL ELEMENT) 86999949 (AIR VENT FILTER)	254353A1 (HYDRO PRESSURE) 277311A1 (IN-LINE) 294721A1 (RETURN) 87000622 (FILL NECK BAFFEL)	86998333 (O) 86998332 (I)	84036676 (FRESH AIR) 84058793 (RECIRCULATING)
9120 AXIAL-FLOW COMBINE (9/08-)	84818743	84818745 (ENGINE MOUNTED) 87343033 (FUEL /WATER SEPARATOR) 87409379 (ADDITIONAL FUEL ELEMENT) 86999949 (AIR VENT FILTER)	254353A1 (HYDRO PRESSURE) 277311A1 (IN-LINE) 294721A1 (RETURN) 87000622 (FILL NECK BAFFEL)	84818002 (O) 84818003 (I)	84036676 (FRESH AIR) 84058793 (RECIRCULATING)

LUBRICANTS FOR AFX 7010

APPLICATION	FLUID TYPE	MODEL	SERVICE INTERVAL-HOURS	CAPACITY-GALLONS	CAPACITY-LITERS
ENGINE	NO. 1 SAE 15W40	7010 AXIAL-FLOW COMBINE (2/07-9/08)	300	6.60	25.00
BRAKE RESERVOIR	LHM HYDRAULIC BRAKE OIL	7010 AXIAL-FLOW COMBINE (2/07-9/08)	1200	0.07	0.25
COOLANT	CNH XHD COOLANT/ ANTIFREEZE	7010 AXIAL-FLOW COMBINE (2/07-9/08)	1200	11.08	42.00
HYDRAULIC SYSTEM - RESERVOIR	HY-TRAN ULTRA	7010 AXIAL-FLOW COMBINE (2/07-9/08)	1200	15.04	57.00
GEAR BOX - PTO	HY-TRAN ULTRA	7010 AXIAL-FLOW COMBINE (2/07-9/08)	600	6.49	24.60
GEAR BOX - TRACTION	135H EP GEAR LUBE 80W90	7010 AXIAL-FLOW COMBINE (2/07-9/08)	600	5.01	19.00
GEAR BOX - FINAL DRIVE 11:111	135H EP GEAR LUBE 80W90	7010 AXIAL-FLOW COMBINE (2/07-9/08)	600	2.07	7.85
GEAR BOX - FINAL DRIVE 1:13.09	135H EP GEAR LUBE 80W90	7010 AXIAL-FLOW COMBINE (2/07-9/08)	600	1.77	6.70
UNLOADING DRIVE GEAR BOX	135H EP GEAR LUBE 80W90	7010 AXIAL-FLOW COMBINE (2/07-9/08)	600	0.16	0.60
UNLOADING TUBE GEAR BOX	135H EP GEAR LUBE 85W140	7010 AXIAL-FLOW COMBINE (2/07-9/08)	600	0.11	0.43
TAILINGS GEARBOX	HY-TRAN ULTRA	7010 AXIAL-FLOW COMBINE (2/07-9/08)	600	0.07	0.25
BUBBLE UP GEAR BOX	HY-TRAN ULTRA	7010 AXIAL-FLOW COMBINE (2/07-9/08)	600	0.13	0.50
ROTOR GEAR CASE	HY-TRAN ULTRA	7010 AXIAL-FLOW COMBINE (2/07-9/08)	600	1.85	7.00

AFX 8010 & 7120 COMBINES

LUBRICANTS FOR AFX 8010

APPLICATION	FLUID TYPE	MODEL	SERVICE INTERVAL-HOURS	CAPACITY-GALLONS	CAPACITY-LITERS
ENGINE	NO. 1 SAE 15W40	8010 AXIAL-FLOW COMBINE (9/06-9/08)	300	8.44	32.00
BRAKE RESERVOIR	LHM HYDRAULIC BRAKE OIL	8010 AXIAL-FLOW COMBINE (9/06-9/08)	1200	0.07	0.25
COOLANT	CNH XHD COOLANT/ ANTIFREEZE	8010 AXIAL-FLOW COMBINE (9/06-9/08)	1200	11.08	42.00
HYDRAULIC SYSTEM - RESERVOIR	HY-TRAN ULTRA	8010 AXIAL-FLOW COMBINE (9/06-9/08)	1200	15.04	57.00
GEAR BOX - PTO	HY-TRAN ULTRA	8010 AXIAL-FLOW COMBINE (9/06-9/08)	600	6.49	24.60
GEAR BOX - TRACTION	135H EP GEAR LUBE 80W90	8010 AXIAL-FLOW COMBINE (9/06-9/08)	600	5.01	19.00
GEAR BOX - FINAL DRIVE	135H EP GEAR LUBE 80W90	8010 AXIAL-FLOW COMBINE (9/06-9/08)	600	1.77	6.70
UNLOADING DRIVE GEAR BOX	135H EP GEAR LUBE 80W90	8010 AXIAL-FLOW COMBINE (9/06-9/08)	600	0.16	0.60
UNLOADING TUBE GEAR BOX	135H EP GEAR LUBE 85W140	8010 AXIAL-FLOW COMBINE (9/06-9/08)	600	0.11	0.43
TAILINGS GEARBOX	HY-TRAN ULTRA	8010 AXIAL-FLOW COMBINE (9/06-9/08)	600	0.07	0.25
BUBBLE UP GEAR BOX	HY-TRAN ULTRA	8010 AXIAL-FLOW COMBINE (9/06-9/08)	600	0.13	0.50
ROTOR GEAR CASE	HY-TRAN ULTRA	8010 AXIAL-FLOW COMBINE (9/06-9/08)	600	1.85	7.00
FEEDER CONVEY OR GEAR CASE	HY-TRAN ULTRA	8010 AXIAL-FLOW COMBINE (9/06-9/08)	600	0.74	2.80
HEADER GEAR BOX	HY-TRAN ULTRA	8010 AXIAL-FLOW COMBINE (9/06-9/08)	600	0.74	2.80

LUBRICANTS FOR AFX 7120

APPLICATION	FLUID TYPE	MODEL	SERVICE INTERVAL-HOURS	CAPACITY-GALLONS	CAPACITY-LITERS
ENGINE (9L)	NO. 1 SAE 15W40	7120 AXIAL-FLOW COMBINE (9/08-)	300	6.60	25.00
HYDRAULIC SYSTEM - RESERVOIR	HY-TRAN ULTRA	7120 AXIAL-FLOW COMBINE (9/08-)	1200	15.04	57.00
GEAR BOX - TRACTION	135H EP GEAR LUBE 80W90	7120 AXIAL-FLOW COMBINE (9/08-)	600	5.01	19.00
GEAR BOX - 11:111 FINAL DRIVE	135H EP GEAR LUBE 80W90	7120 AXIAL-FLOW COMBINE (9/08-)	600	2.07	7.85
GEAR BOX - 1:13:09 FINAL DRIVE	135H EP GEAR LUBE 80W90	7120 AXIAL-FLOW COMBINE (9/08-)	600	1.77	6.70
UNLOADING DRIVE GEARBOX	135H EP GEAR LUBE 80W90	7120 AXIAL-FLOW COMBINE (9/08-)	600	0.16	0.60
UNLOADING TUBE GEARBOX	135H EP GEAR LUBE 80W90	7120 AXIAL-FLOW COMBINE (9/08-)	600	0.11	0.43
HYDROSTATIC SYSTEM	HY-TRAN ULTRA	7120 AXIAL-FLOW COMBINE (9/08-)	600	5.01	19.00
TAILINGS GEARBOX	HY-TRAN ULTRA	7120 AXIAL-FLOW COMBINE (9/08-)	600	0.07	0.25
BUBBLE UP GEARBOX (FRONT)	HY-TRAN ULTRA	7120 AXIAL-FLOW COMBINE (9/08-)	600	0.13	0.50
ROTOR GEARBOX	HY-TRAN ULTRA	7120 AXIAL-FLOW COMBINE (9/08-)	600	1.85	7.00
FEEDER CONVEYOR GEAR CASE	HY-TRAN ULTRA	7120 AXIAL-FLOW COMBINE (9/08-)	600	0.74	2.80
HEADER GEARBOX	HY-TRAN ULTRA	7120 AXIAL-FLOW COMBINE (9/08-)	600	0.77	2.90
IDLER HUB	50W OIL-LUBRICANT NOT AVAILABLE FROM CNH	7120 AXIAL-FLOW COMBINE (9/08-)	1500	3.96	15.00
ROLLER HUB	NO. 1 SAE 30	7120 AXIAL-FLOW COMBINE (9/08-)	1500	2.11	8.00
COOLANT	CNH XHD COOLANT/ ANTIFREEZE	7120 AXIAL-FLOW COMBINE (9/08-)	1200	11.08	42.00

LUBRICANTS AND FILTERS

AFX 8120 & 9120 COMBINES

LUBRICANTS FOR AFX 8120

APPLICATION	FLUID TYPE	MODEL	SERVICE INTERVAL-HOURS	CAPACITY-GALLONS	CAPACITY-LITERS
Engine Oil (10.3L)	NO. 1 SAE 15W40	8120 AXIAL-FLOW COMBINE (9/08-)	300	8.44	32.00
HYDRAULIC SYSTEM - RESERVOIR	HY-TRAN ULTRA	8120 AXIAL-FLOW COMBINE (9/08-)	1200	15.04	57.00
GEAR BOX - TRACTION	135H EP GEAR LUBE 80W90	8120 AXIAL-FLOW COMBINE (9/08-)	600	5.01	19.00
GEAR BOX - 11:111 FINAL DRIVE	135H EP GEAR LUBE 80W90	8120 AXIAL-FLOW COMBINE (9/08-)	600	2.07	7.85
GEAR BOX - 1:13.09 FINAL DRIVE	135H EP GEAR LUBE 80W90	8120 AXIAL-FLOW COMBINE (9/08-)	600	1.77	6.70
UNLOADING DRIVE GEARBOX	135H EP GEAR LUBE 80W90	8120 AXIAL-FLOW COMBINE (9/08-)	600	0.16	0.60
UNLOADING TUBE GEARBOX	135H EP GEAR LUBE 80W90	8120 AXIAL-FLOW COMBINE (9/08-)		0.11	0.43
HYDROSTATIC SYSTEM	HY-TRAN ULTRA	8120 AXIAL-FLOW COMBINE (9/08-)	600	5.01	19.00
TAILINGS GEARBOX	HY-TRAN ULTRA	8120 AXIAL-FLOW COMBINE (9/08-)		0.07	0.25
BUBBLE UP GEARBOX (FRONT)	HY-TRAN ULTRA	8120 AXIAL-FLOW COMBINE (9/08-)	600	0.13	0.50
BUBBLE UP GEARBOX (REAR)	HY-TRAN ULTRA	8120 AXIAL-FLOW COMBINE (9/08-)	600	0.13	0.50
ROTOR GEARBOX	HY-TRAN ULTRA	8120 AXIAL-FLOW COMBINE (9/08-)	600	1.85	7.00
FEEDER CONVEYOR GEAR CASE	HY-TRAN ULTRA	8120 AXIAL-FLOW COMBINE (9/08-)	600	0.74	2.80
HEADER GEARBOX	HY-TRAN ULTRA	8120 AXIAL-FLOW COMBINE (9/08-)	600	0.77	2.90
IDLER HUB	50W OIL-LUBRICANT NOT AVAILABLE FROM CNH	8120 AXIAL-FLOW COMBINE (9/08-)	1500	3.96	15.00
ROLLER HUB	NO. 1 SAE 30	8120 AXIAL-FLOW COMBINE (9/08-)	1500	2.11	8.00
COOLANT	CNH XHD COOLANT/ ANTIFREEZE	8120 AXIAL-FLOW COMBINE (9/08-)	1200	11.08	42.00

LUBRICANTS FOR AFX 9120

APPLICATION	FLUID TYPE	MODEL	SERVICE INTERVAL-HOURS	CAPACITY-GALLONS	CAPACITY-LITERS
Engine Oil (13L)	NO. 1 SAE 15W40	9120 AXIAL-FLOW COMBINE (9/08-)	300	9.23	35.00
HYDRAULIC SYSTEM - RESERVOIR	HY-TRAN ULTRA	9120 AXIAL-FLOW COMBINE (9/08-)	1200	15.04	57.00
GEAR BOX - TRACTION	135H EP GEAR LUBE 80W90	9120 AXIAL-FLOW COMBINE (9/08-)	600	5.01	19.00
GEAR BOX - 11:111 FINAL DRIVE	135H EP GEAR LUBE 80W90	9120 AXIAL-FLOW COMBINE (9/08-)	600	2.07	7.85
GEAR BOX - 1:13.09 FINAL DRIVE	135H EP GEAR LUBE 80W90	9120 AXIAL-FLOW COMBINE (9/08-)	600	1.77	6.70
UNLOADING DRIVE GEARBOX	135H EP GEAR LUBE 80W90	9120 AXIAL-FLOW COMBINE (9/08-)	600	0.16	0.60
UNLOADING TUBE GEARBOX	135H EP GEAR LUBE 80W90	9120 AXIAL-FLOW COMBINE (9/08-)		0.11	0.43
HYDROSTATIC SYSTEM	HY-TRAN ULTRA	9120 AXIAL-FLOW COMBINE (9/08-)	600	5.01	19.00
TAILINGS GEARBOX	HY-TRAN ULTRA	9120 AXIAL-FLOW COMBINE (9/08-)		0.07	0.25
BUBBLE UP GEARBOX (FRONT)	HY-TRAN ULTRA	9120 AXIAL-FLOW COMBINE (9/08-)	600	0.13	0.50
BUBBLE UP GEARBOX (REAR)	HY-TRAN ULTRA	9120 AXIAL-FLOW COMBINE (9/08-)	600	0.13	0.50
ROTOR GEARBOX	HY-TRAN ULTRA	9120 AXIAL-FLOW COMBINE (9/08-)	600	1.85	7.00
FEEDER CONVEYOR GEAR CASE	HY-TRAN ULTRA	9120 AXIAL-FLOW COMBINE (9/08-)	600	0.74	2.80
HEADER GEARBOX	HY-TRAN ULTRA	9120 AXIAL-FLOW COMBINE (9/08-)	600	0.77	2.90
IDLER HUB	50W OIL-LUBRICANT NOT AVAILABLE FROM CNH	9120 AXIAL-FLOW COMBINE (9/08-)	1500	3.96	15.00
ROLLER HUB	NO. 1 SAE 30	9120 AXIAL-FLOW COMBINE (9/08-)	1500	2.11	8.00
COOLANT	CNH XHD COOLANT/ ANTIFREEZE	9120 AXIAL-FLOW COMBINE (9/08-)	1200	11.08	42.00

ACCESSORY KITS

ADVANCED FARMING SYSTEMS



AFS PRO 600 DISPLAY

THE AFS PRO 600 DISPLAY CAN BE USED THROUGHOUT A FARMING OPERATION. This fully customized color display allows the operator to view, monitor, and control as much or as little information as desired.

Planting

The AFS Pro 600 controls Case IH planter operations featuring:

- Prescription Planting
- As-Applied Mapping
- Automated Overlap Control

Harvesting

- Machine function and control on Axial-Flow 7010 and 8010 models
- Yield, moisture monitoring, mapping and AFS Accuguide auto-guidance functions on all Axial-Flow models

AFS Field Performer

- Allows the operator to record and log fuel usage, individual operator performance, acres per hour & engine efficiencies
- Late model Case IH Puma™, Magnum™, Steiger®, and Quadtrac® tractors as well as Axial-Flow® 7010 and 8010 combines can be equipped with AFS Field Performer

IS011783

- The AFS Pro 600 is IS011783 complaint and will serve as a virtual terminal for any IS011783 complaint implement



AFS DESKTOP SOFTWARE

SOME OF THE KEY FEATURES OF AFS DESKTOP SOFTWARE THAT WILL BENEFIT YOUR FARMING OPERATION ARE:

- Manage, view, and edit precision farming data collected with your AFS equipment as well as other precision farming data sources
- Ability to generate print layouts, reports, and charts
- Import and view geo-referenced image files
- Create variable rate prescriptions for your Case IH AFS equipment and other major brands of application equipment
- Create setup cards (Growers, Farms, Fields, boundaries, etc.) for your Case IH AFS equipment as well as other major brands of equipment
- Create, manage, and export guidance patterns for your Case IH AFS equipment and other major brands of equipment
- Ability to overlay multiple layers of data on the same maps
- Spatial sorting of data by field or farm to make sure your data is properly and easily organized
- Supports displaying performance information from your Case IH AFS equipment such as Fuel Efficiency, Engine Load, Slip, etc.
- Generate Crop Plans
- Record application operations for regulatory record keeping
- Ability to generate resource tracking results such as amounts of product needed (bags of seed, tanks of chemical, etc.) for or used during field operations
- Query tools allow you to examine specific areas of your field to help you diagnose problems or determine how to get more out of your land
- Import/Export of ESRI Shape, ASCII text, and BMP, JPEG, Geo TIFF, or TIFF image files

AFS HARVEST AND APPLICATION CONTROL SYSTEMS SOFTWARE PROVIDES NUMEROUS TOOLS AND POWERFUL FEATURES TO MEET YOUR PRECISION FARMING NEEDS!

PRODUCTIVITY TIPS / GUIDES

SELF DIRECTED LEARNING PROGRAM



Theory of Combine Settings and Adjustments of the Axial-Flow 7010, 8010, 7120, 8120, and 9120 Combines

USMHAF2C3EN — This highly interactive training program focuses on the theory of crop flow as it relates to various machine settings & adjustments. This tool is designed to give the first time owner, or the seasoned veteran, a closer look at various machine settings and adjustments that can maximize grain quality, as well as overall grain saving abilities. With interactive media such as animations, video clips, and drop down menus, this is a comprehensive course that allows you to sharpen up on the proper sequence of adjustments for achieving related outcomes. This course is designed to take 40 to 50 minutes. Price US\$45/CDN\$60.

USMHAF2C4EN — Theory of Combine Settings & Adjustments Post Assessment.

Available from Document Management Center.

USER GUIDE FOR COMBINE SEPARATOR ADJUSTMENT SLIDE RULE



Separator adjustments are key to combine productivity

The slide rule provides a convenient portable tool to help the customer adjust his/her combine to do the best job possible. It covers most of the common crops and utilizes the information in the combine productivity flyer.

It fits in the buddy seat compartment so it is available when needed. It is easy to read, easy to follow and gives step-by-step instructions to improve combine performance.

They help even experienced customers by providing a refresher to what can be adjusted and in what order to do the adjustments. They help new owners to adjust by giving them an easy to follow procedure that allows them to adjust Axial-Flow 7010-9120 combines like a seasoned pro.

How to use:

Identify the symptom you have, line up the slide rule with the symptom, and read the adjustments in order of priority.

Why:

To gain maximum productivity from your machine.

When:

Whenever a new rotary user operates the machine. A great starting tool to make changes to setting the machine, or when an experienced owner is using the machine and harvest conditions change, the crop being harvested is different, and/or setting the machine for maximum productivity.

PERFORMANCE KITS

Axle and Operator Deck Extensions - See Combine Ordering Guide for Requirements

Part No.	Description
84050430	WEIGHTS (WHEEL) 400 KG
84050431	WEIGHTS (WHEEL) 200 KG
84050432	WEIGHTS (WHEEL) 600 KG
84060286	AXLE EXTENSIONS - 100MM SPACER
84083290	OPERATOR DECK EXTENSION - 250MM (10")

Part No.	Description
84083291	OPERATOR DECK EXTENSION - 500MM (20")
84083292	OPERATOR DECK EXTENSION - 750MM (30")
84095964	AXLE EXTENSIONS 265MM (10.4")*
84095959	AXLE EXTENSIONS 316MM (12.4")*
84095969	AXLE EXTENSIONS 138MM (5.4")*
87530962	PLATFORM EXT 10" - 250MM
87530963	PLATFORM EXT 20" - 500MM
87530964	PLATFORM EXT 30" - 750MM

*For 8120 and 9120 Combines only.

Feeder Kits / Rotor Cage

Part No.	Description
84083485	ROCK TRAP SUMP COVER KIT
87715220	FEEDER LATERAL TILT KIT FOR 2005+ MY
84084681	PERFORATED FEEDER FLOOR
84084684	FEEDER TOP SHAFT SPROCKET STRIPPER PACKAGE OIL
84084762	ROTOR CAGE FILLER PLATES
87372974	FEEDER ROCK TRAP REMOVAL CONVERSION KIT - CONVERTS A ROCK TRAP FEEDER TO A NON-ROCK TRAP
87730304	STONE TRAP SUMP COVER KIT
87281928	FEEDER LATERAL TILT KIT FOR 2004 MY AND PRIOR
87553555	FEEDER ROCK TRAP INSTALLATION CONVERSION KIT - CONVERTS A NON-ROCK TRAP FEEDER TO A ROCK TRAP
87629066	LATERAL TILT KIT

Grain Handling Kits

Part No.	Description
84084386	CLEAN GRAIN ELEVATOR AND GRAIN TANK CROSS AUGER SLOW DOWN KIT*
84084680	PERFORATED TAILINGS AND CLEAN GRAIN AUGER TROUGHS AND ELEVATOR DOOR - ROUND HOLES
86521287	UNLOADING AUGER EXTENSION, 3' (FOR USE W/18' UNLOAD AUGER ONLY)
87662994	GRAIN TANK EXTENDED-WEAR AUGER TROUGH KIT

Residue Handling Kits

Part No.	Description
84083460	DISCHARGE BEATER GRATE COVER KIT - RECOMMENDED TO REDUCE MOG ON THE CLEANING SYSTEM IN DRY BRITTLE CONDITIONS, AND TO PREVENT SIEVE LOUVER DAMAGE IN CORN
87723223	STRAW CHOPPER KIT (8010)
87493756	ADJUSTABLE WINDROW DOOR KIT
87724575	WINDROW CHUTE KIT

Lighting Kits

Part No.	Description
84081054	SERVICE LIGHT, HAND HELD PORTABLE
84084474	BEACON LIGHTS
84084476	HID STADIUM LIGHTS

Precision Farming Kits

Part No.	Description
84083168	YIELD AND MOISTURE SENSOR KIT
84083373	UNIVERSAL RECEIVER TRANSFER KIT - INCLUDES ALL WIRING AND MOUNTING HARDWARE TO INSTALL AN AFS132 UNIVERSAL RECEIVER IN AFX COMBINE
87282475	GPS RECEIVER INSTALLATION KIT - REQUIRED TO INSTALL ANY GPS RECEIVER ORDERED AS A DIA
87518983	AFS ACCUGUIDE™ NAVIGATION CONTROLLER
87583592	AGS RECEIVER INSTALLATION KIT
87595761	AFS252 RECEIVER WITH MOUNTING PLATE (FOR USE WITH WAAS)
87301247	KIT CASE IH EZ-GUIDE W/GPS
87369143	KIT CASE IH 252 HP/XP W/BASE MOUNTING PLATE
87712022	YIELD/MOISTURE KIT
87597550	AFS PRO 600 MOUNTING KIT

Other

Part No.	Description
84040942	INTERNAL ROTARY BRUSH AIR SCREEN (8010)
84081496	ENGINE COOLANT HEATER - IVECO 10.3L
84083386	FIXED NA TRAILER HITCH DIA
84083387	AUT TOR NA HDR HITCH DIA
84084805	ENGINE COOLANT HEATER 9.0L
84084936	FIRE EXTINGUISHER - NA
84110799	2-SPEED POWERED REAR AXLE KIT - CONVERTS A PRA FROM SINGLE SPEED TO 2-SPEED. (FOR MY 2004 & PRIOR, REQUIRES SWITCH PAD #87282484 ORDERED SEPARATELY)
84111565	INTERNAL ROTARY BRUSH AIR SCREEN (7010)
87049763	WINDSHIELD WASHER KIT
84083478	KIT-PRA AXLE

ACCESSORIES



Chain Breaker

- 1132041R1E For 35-50 roller chain
- 1132042R1E For 60-80 roller chain
- 87298058 (9624833DS) For 100-120 roller chain

Part No. 1132041R1E (shown)

POWERLUBER® CORDLESS RECHARGEABLE GREASE GUN—LUBRICATES ANYTHING, ANYTIME, ANYWHERE. TWO MODELS – 12-VOLT AND 14.4-VOLT FOR MOST LUBRICATING APPLICATIONS.



**Part No. 87298560
14.4 Volt PowerLuber**

The new, heavy-duty 14.4 PowerLuber gives you the power to lubricate just about anything, anytime, anywhere.

- Two-speed switch for high-pressure or high volume delivery.
- Cycle indicator pin to monitor grease output.
- A “Smart” charging system delivers reliable power.

All the features you need, including comfortable grip and balanced design, hook for shoulder strap, built-in hose and coupler holder, and slim, compact carrying case.

PART NO.	DESCRIPTION
87298560	14.4V POWERLUBER, ONE BATTERY
87298561	14.4V POWERLUBER, TWO BATTERY
87298562	14.4V BATTERY
87298563	14.4V QUICK CHARGER
B95785S	12V POWERLUBER, ONE BATTERY
B95786S	12V POWERLUBER, TWO BATTERY
B95787	12V CHARGER
B96508	12V FIELD CHARGER
B95788	12V BATTERY
B95789	30 INCH FLEX-WHIP HOSE – 12V AND 14V

Ladder Extension Kit

- Includes step, mounting pads and hardware
- Easier entry to combine

Part No. 87297726



Fire Extinguisher Kit

- Includes fire extinguisher, decal, and mounting bracket
- Fire extinguisher – 10 lb. capacity, UL rated 4A-60 B:C
- Fire extinguisher – 20 lb. capacity, UL rated

**Part No. 84084936 -
10 lb. capacity**

**Part No. B95915 -
20 lb. capacity**



Anti-static kit

Application: 7010 - 9120 Combines

- The kit is designed to reduce static electricity build up in the combine. The kit consists of brushes, mounting brackets, grounding straps, hardware and set-up instructions.
- Brushes to be installed on cleaning fan and engine cooling fan. Grounding strap to be installed on the chaff spreaders.

Part No. 87557858E



AXIAL FLOW® 7010-9120 COMBINES

TRACK KITS

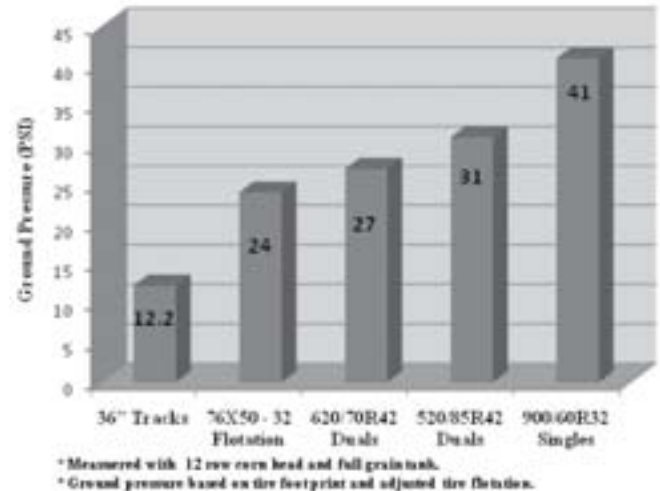


Product Features & Comparisons to Competition

- Up to 20 mph travel speeds—lower speed reductions on other aftermarket tracks accent the problem of not controlling the flow between PGA and transmission
- 36" wide tracks for better flotation (some competition offers only 32" tracks)
- Center pivot provides equal ground pressure (front to rear)—not offset like others, with more weight on rear than front
- Lower pivot point provides better flotation
- Hydraulic tensioning of tracks—not spring or hydraulic over spring like competition

PART NUMBER	DESCRIPTION	APPLICATION
87477345	Installation Kit	8010, 8120, 9120
84129453*	Fan Shield and Platform Track Kit	8010
84130512**	Rubber Tracks, Yokes, and Undercarriage	8010, 8120, 9120

NOTE: 30" platform extension not included with machine. Must be ordered separately.



Less compaction, greater flotation, greater traction

The ground pressure of the 36" track is 12.2 psi which is about 50% less than an equally equipped combine on flotation tires. The graph below shows the ground pressure comparison between the different tire options.

INDEX

Part No.	Page	Part No.	Page	Part No.	Page	Part No.	Page
742134.....	33	84081054.....	43	84141246.....	35	87017978.....	17
742135.....	33	84081496.....	43	84174156.....	35	87017979.....	17
801462.....	9	84083168.....	43	84179639.....	19	87017980.....	17
9560145.....	33	84083290.....	43	84179642.....	19	87017981.....	17
9560146.....	33	84083291.....	43	84179662.....	19	87017982.....	17
9560147.....	33	84083292.....	43	84182198.....	20	87017983.....	17
9560148.....	33	84083373.....	43	85000175.....	11	87017984.....	17
9826150.....	6	84083386.....	43	86521287.....	32, 43	87017985.....	12, 16, 17
73340128.....	14	84083387.....	43	86608231.....	10	87017986.....	12, 16, 17
73340129.....	14	84083460.....	43	86616527.....	7	87017987.....	12, 16, 17
73340130.....	14	84083478.....	43	86616528.....	7	87034528.....	17
73340131.....	15	84083485.....	22, 43	86616529.....	7	87041425.....	9
73340134.....	15	84083561.....	33	86616689.....	7	87041928.....	9
73340135.....	15	84083562.....	32	86616692.....	7	87045432.....	6
73340136.....	15	84083564.....	32	86616693.....	7	87049707.....	10
73340137.....	15	84083570.....	22	86620216.....	18	87049763.....	43
73340138.....	16	84083977.....	23	86620217.....	18	87053604.....	9
73340139.....	16	84084323.....	33	86620218.....	18	87058247.....	9
73340144.....	8	84084324.....	33	86620219.....	18	87106651.....	27
73340145.....	8	84084325.....	33	86620220.....	18	87106653.....	27
73340166.....	19	84084326.....	33	86620221.....	18	87109198.....	27
73340388.....	34	84084327.....	33	86620222.....	18	87109201.....	27
73340406.....	36	84084328.....	33	86620223.....	18	87109815.....	33
73340415.....	36	84084386.....	32, 43	86620224.....	18	87109817.....	33
73340417.....	26	84084474.....	43	86620225.....	18	87109819.....	33
73340418.....	26	84084476.....	23	86620226.....	18	87109821.....	33
73340419.....	26	84084506.....	33	86705199.....	8	87109824.....	33
73340422.....	26	84084507.....	33	86900832.....	7	87109826.....	33
73340423.....	26	84084510.....	33	86900833.....	7	87281928.....	22, 43
73340424.....	26	84084511.....	33	86900834.....	7	87282475.....	43
73340426.....	25	84084662.....	33	86900835.....	7	87282761.....	27
73340430.....	19	84084664.....	33	86976414.....	27	87282764.....	27
73340431.....	19	84084680.....	32, 43	86976416.....	27	87283349.....	19
73340432.....	30	84084681.....	22, 43	86976418.....	27	87283350.....	19
73340434.....	19	84084684.....	43	86976420.....	27	87283351.....	19
73340435.....	21	84084762.....	28, 43	86977981.....	7	87283356.....	19
73340436.....	24	84084805.....	43	86977982.....	7	87283357.....	19
73340439.....	30	84084818.....	27	86978515.....	13	87283358.....	19
73340440.....	30	84084936.....	43	86978714.....	18	87283359.....	19
73340441.....	30	84084936.....	44	86978715.....	18	87283418.....	33
73340442.....	30	84084981.....	33	86979313.....	13	87297723.....	31
73340443.....	30	84084982.....	33	86988941.....	31	87297724.....	31
73340447.....	31	84084984.....	33	86988943.....	31	87297726.....	44
73340448.....	31	84084985.....	33	86999090.....	27	87297730.....	19
73340507.....	10	84095959.....	43	86999097.....	27	87297731.....	19
84040942.....	43	84095964.....	43	87000772.....	27	87297733.....	20
84050430.....	43	84095969.....	43	87000774.....	27	87297734.....	20
84050431.....	43	84110799.....	43	87015706.....	6	87297737.....	25
84050432.....	43	84111565.....	31, 43	87015708.....	6	87297738.....	25
84059809.....	23	84129453.....	45	87016131.....	9	87297739.....	25
84060286.....	43	84130512.....	45	87016167.....	10	87297740.....	25

Part No.	Page	Part No.	Page	Part No.	Page	Part No.	Page
87297742.....	29	87298860.....	11	87629066.....	43	B94982	14
87297743.....	29	87298864.....	11	87635125.....	20	B94983	14
87297746.....	29	87298865.....	11	87640483.....	21	B94984	14
87297749.....	29	87298886.....	17	87646003.....	19	B94985	14
87297750.....	29	87298940.....	27	87646005.....	19	B95379	37
87297756.....	29	87299137.....	37	87646014.....	19	B95408	10
87297757.....	29	87299138.....	37	87646015.....	19	B95409	10
87297758.....	29	87301194.....	31	87660197.....	21	B95573	12, 16
87297759.....	29	87301195.....	31	87660207.....	21	B95574A.....	12, 16
87297762.....	34	87301247.....	43	87662994.....	43	B95580	12
87297764.....	34	87302735.....	31	87670026.....	34	B95581	12
87297765.....	34	87368806.....	26	87670027.....	34	B95582	12, 15, 16, 18
87297766.....	34	87368807.....	26	87682198.....	21	B95583A.....	13
87297767.....	34	87369143.....	43	87712022.....	43	B95584A.....	13
87297768.....	34	87372974.....	43	87715003.....	24	B95585A.....	13
87297877.....	34	87376702.....	24	87715220.....	22, 43	B95612	14
87297938.....	7	87382439.....	24	87723223.....	43	B95623	8
87297943.....	7	87387731.....	10	87723898.....	24, 26	B95624	8
87297944.....	10	87390937.....	24	87724575.....	43	B95644	8
87297945.....	10	87391297.....	27	87730302.....	22	B95645	8
87297946.....	10	87442324.....	6	87730303.....	22	B95785S.....	44
87297972.....	8	87442329.....	6	87730304.....	43	B95786S.....	44
87297973.....	8	87471942.....	32	87741400.....	28	B95787	44
87297974.....	8	87471943.....	32	87741402.....	28	B95788	44
87297975.....	8	87477345.....	45	87743231.....	33	B95789	44
87297976.....	8	87493756.....	43	87745154.....	24	B95856	10
87297977.....	8	87501635.....	17	87745163.....	24	B95857	10
87297978.....	8	87501785.....	17	87746842.....	34	B95872	10
87297979.....	8	87518983.....	43	87748386.....	28	B95908	27
87297980.....	8	87530962.....	43	87748389.....	28	B95915	44
87297981.....	8	87530963.....	43	87751028.....	22	B96153A.....	13
87297982.....	8	87530964.....	43	87753906.....	32	B96154A.....	13, 15
87297983.....	8	87548554.....	9	1132041R1E.....	44	B96155A.....	13, 15
87298058.....	44	87548556.....	9	1132042R1E.....	44	B96425	27
87298163.....	9, 10	87553554.....	22	1309336C2.....	25	B96508	44
87298164.....	9, 10	87553555.....	22, 43	278820A4	25	B96520	11
87298166.....	25	87583592.....	43	278821A2	25	B96538C	11
87298167.....	25	87584185.....	28	87297170C.....	8	B96539C	11
87298168.....	25	87588414.....	9	87298867C	11	B96552C	11
87298212.....	8	87588416.....	9	87298954C	11	B96649	36
87298213.....	8	87595301.....	7	87369361E	24	B96650	36
87298321.....	19	87595600.....	7	87393080E	27	B96673A.....	17
87298560.....	44	87595761.....	43	87528030E	18	USMHAF2C3EN.....	42
87298561.....	44	87597550.....	43	87528033E	18	USMHAF2C4EN.....	42
87298562.....	44	87602594.....	26	87528034E	18		
87298563.....	44	87617002.....	19	87528035E	18		
87298770.....	35	87620394.....	24, 26	87528036E	18		
87298771.....	35	87625520.....	19	87557858E	44		
87298773.....	24	87625521.....	19	87607076E	17		
87298775.....	27	87625522.....	19	87748389B	28		
87298776.....	27	87625524.....	19	9624833DS.....	44		

WWW.CASEIH.COM

SAFETY NEVER HURTS!™ Always read the Operator's Manual before operating any equipment. Inspect equipment before using it, and be sure it is operating properly. Follow the product safety signs, and use any safety features provided.

Case IH is a registered trademark of CNH America LLC. Any trademarks referred to herein, in association with goods and/or services of companies other than CNH America LLC, are the property of those respective companies.

CNH America LLC reserves the right to make improvements in design and changes in specifications at any time without notice and without incurring any obligation to install them on units previously sold. Specifications, descriptions and illustrative material herein are as accurate as known at time of publication, but are subject to change without notice. Availability of some models and equipment builds varies according to the country in which the equipment is used.

