

AGRICULTURAL & INDUSTRIAL VALUE PARTS 2020

AGRICULTURAL SEATS | INDUSTRIAL SEATS | LAWN & GARDEN SEATS | LED LIGHTS |
CHAIN & HARDWARE | JACKS & TRAILER ACCESSORIES
HYDRAULIC CYLINDERS | HITCH & LINKAGE | POWER TAKE OFF SHAFTS



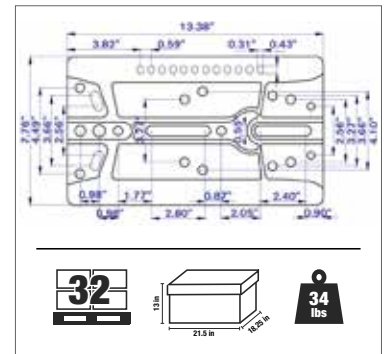
Table Of Contents

Seats	3 - 18	Hitch & Linkage	39 - 40
Agricultural Seats	3 - 10	Jacks & Trailer Accessories	41 - 53
Lawn & Garden Seats	11 - 15	Tow Hooks	41
Industrial Seats.....	16 - 18	Farm Jacks.....	42
Rake Teeth	19 - 20	Weld Collar Jacks	43
Rake Tines.....	19	A-Frame Jacks	43
Rubber Rake Teeth.....	20	Weld Flange Jacks.....	43
Chains & Assemblies	21 - 30	Trailer Jacks	44
Chains	21 - 23	Zinc Plated Jacks	44
Hooks & Connectors	24 - 25	Heavy Duty Jacks	45
Straps & Winches	26	Jack Accessories	46 - 47
Clips & Links.....	27 - 28	Trailer Balls & Couplers.....	48
Shackles.....	29	Trailer Ball Mounts	49
S-Hooks & Snaps.....	30	Drawing Holders & Cleaning Kits....	50 - 51
Led Lights	31 - 37	Circuit Testers.....	52
Flood Lights.....	32 - 33	Brush Sets	53
Spot Lights	34	Power Take-Off Shafts	54 - 58
Light Bars	34 - 35	BY-PY Power Take-Off Shafts	54 - 56
Safety Lights.....	36	Replacement Parts.....	57 - 58
Beacon Lights.....	36 - 37	Index	59 - 61
Towing & Trailer Lights.....	37	Hydraulic Cylinder Sizing Chart	62
Hydraulic Cylinders	38		

Black Universal Suspension Seat

- Leatherette upholstery
- Steel frame
- Molded cushion
- Adjustable with five mounting angles
- Fore / aft adjustment
- Weight adjustable suspension
- Includes mounting plate
- Includes slide track
- Black

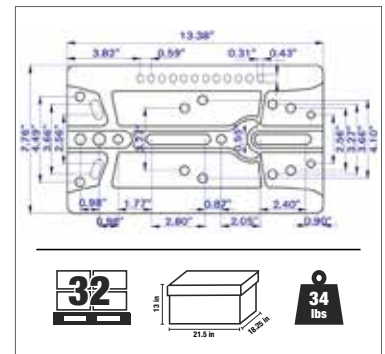
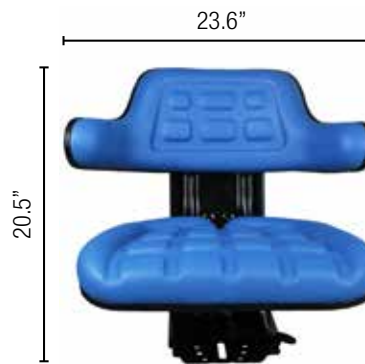
PART NO.	DESCRIPTION
SEA-300RMBEX	Universal Suspension Seat, Black



Blue Universal Suspension Seat

- Leatherette upholstery
- Steel frame
- Molded cushion
- Adjustable with five mounting angles
- Fore / aft adjustment
- Weight adjustable suspension
- Includes mounting plate
- Includes slide track
- Blue

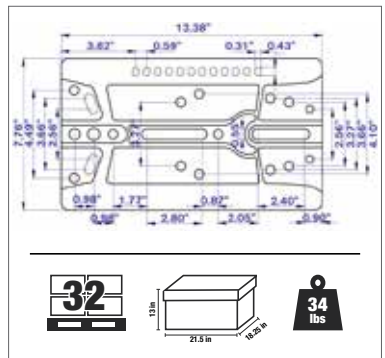
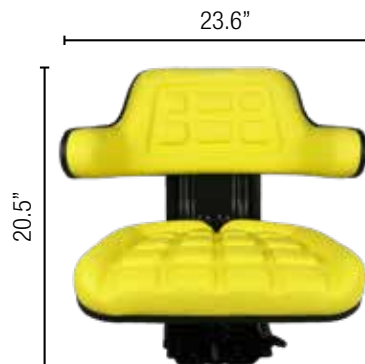
PART NO.	DESCRIPTION
SEA-300RMBLUBEX	Universal Suspension Seat, Blue



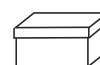
Yellow Universal Suspension Seat

- Leatherette upholstery
- Steel frame
- Molded cushion
- Adjustable with five mounting angles
- Fore / aft adjustment
- Weight adjustable suspension
- Includes mounting plate
- Includes slide track
- Yellow

PART NO.	DESCRIPTION
SEA-300RMYBEX	Universal Suspension Seat, Yellow



PALLET QTY



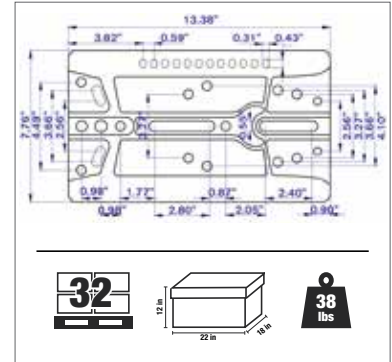
BOX DIMENSIONS



SHIP WEIGHT

Black Universal Suspension Seat

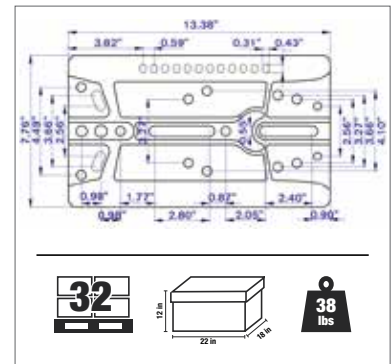
- Leatherette upholstery
- Steel frame
- Heavy duty vinyl cover
- Molded cushion
- Adjustable with five mounting angles
- Fore / aft adjustment
- Weight adjustable suspension
- Includes mounting plate
- Includes slide track
- Black



PART NO.	DESCRIPTION
SEA-EC02100BEX	Universal Suspension Seat, Black

Blue Universal Suspension Seat

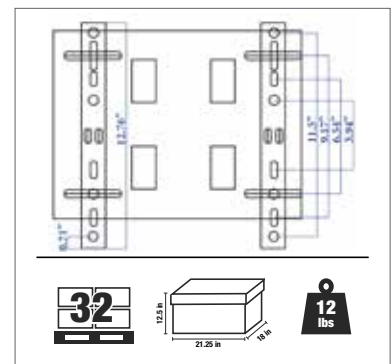
- Leatherette upholstery
- Steel frame
- Heavy duty vinyl cover
- Molded cushion
- Adjustable with five mounting angles
- Fore / aft adjustment
- Weight adjustable suspension
- Includes mounting plate
- Includes slide track
- Blue



PART NO.	DESCRIPTION
SEA-EC02100BLUX	Universal Suspension Seat, Blue

Black Universal Compact Seat

- Leatherette upholstery
- Steel frame
- Heavy duty vinyl cover
- Molded cushion
- Adjustable slides
- Black



PART NO.	DESCRIPTION
SEA-50800BEX	Universal Compact Seat, Black



PALLET QTY



BOX DIMENSIONS

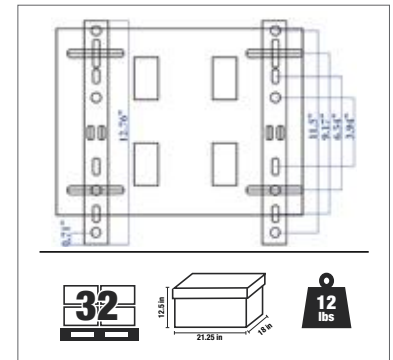
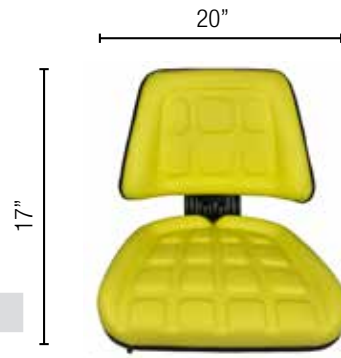


SHIP WEIGHT

Yellow Universal Compact Seat

- Leatherette upholstery
- Steel frame
- Heavy duty vinyl cover
- Molded cushion
- Adjustable slides
- Yellow

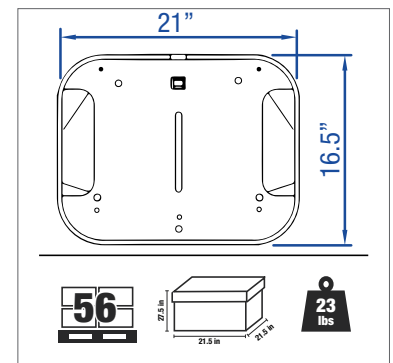
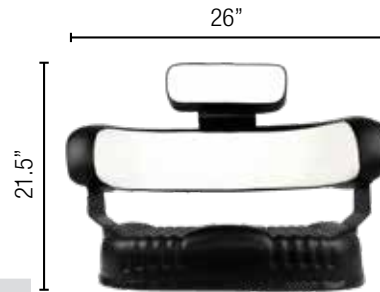
PART NO.	DESCRIPTION
SEA-50800YBEX	Universal Compact Seat, Yellow



IH 3 Piece Cushion Set

- High density foam
- Heavy duty vinyl cover
- Three piece molded cushion set
- Does not include mounting hardware
- Waterproof
- See SEA-JZS561X for hardware
- Black & white

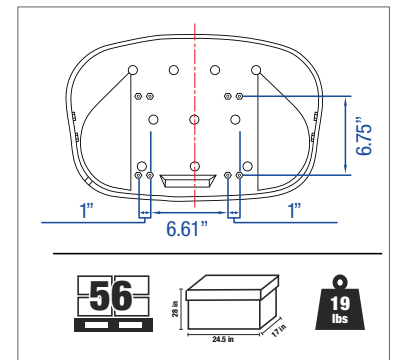
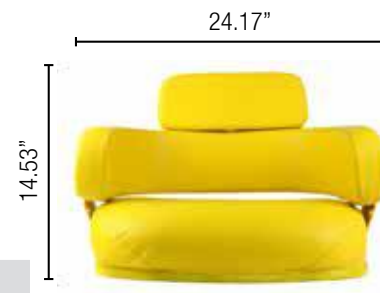
PART NO.	DESCRIPTION
SEA-IH6012BEX	IH 3 Piece Cushion Set, Black & White



JD 3 Piece Cushion Set

- High density foam
- Three piece molded cushion set
- Does not include mounting hardware
- See SEA-JZS551 for hardware
- Yellow

PART NO.	DESCRIPTION
SEA-JD0550YEX	JD 3 Piece Cushion Set, Yellow



IH Mounting Hardware

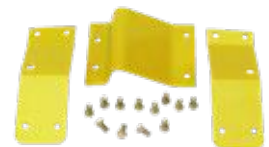
- Mounting hardware
- For IH black & white three piece cushion set
- See SEA-IH6012BEX



PART NO.	DESCRIPTION
SEA-JZS561X	Mounting Hardware for SEA-IH6012BEX

JD Mounting Hardware

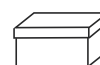
- Mounting hardware
- For JD yellow three piece cushion set
- See SEA-JD0550YEX



PART NO.	DESCRIPTION
SEA-JZS551X	Mounting Hardware for SEA-JD0550YEX



PALLET QTY



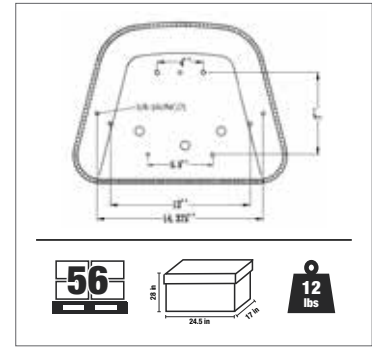
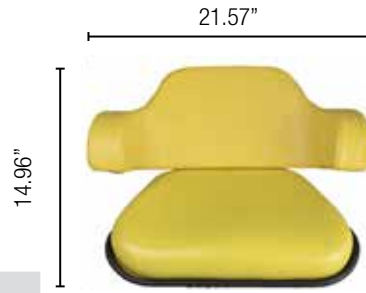
BOX DIMENSIONS



SHIP WEIGHT

JD 2 Piece Cushion Set

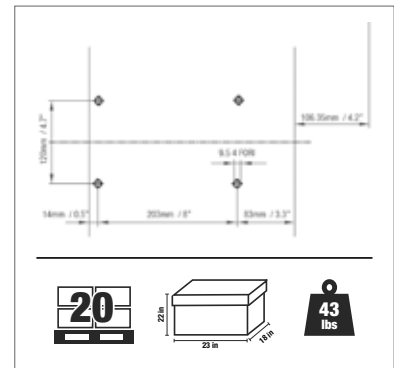
- High density foam
- Heavy duty vinyl cover
- Two piece molded cushion set
- Steel back
- Waterproof
- Yellow



PART NO.	DESCRIPTION
SEA-JD5550YEX	JD 2 Piece Cushion Set, Yellow

Black Narrow Deluxe Suspension Seat

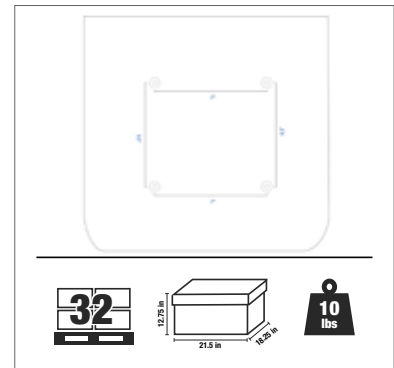
- Leatherette upholstery
- Fore / aft adjustment
- Weight adjustable suspension
- Narrow
- Black



PART NO.	DESCRIPTION
SEA-COM2210X	Narrow Deluxe Suspension Seat, Black

Black Universal Narrow Seat

- Leatherette upholstery
- Vinyl covered molded cushion
- Fore / aft adjustable
- Non - suspension
- Waterproof
- Includes drain holes
- See SEA-94000BEX for mounting hardware
- Black



PART NO.	DESCRIPTION
SEA-11NBEX	Universal Narrow Seat, Black

Flip Up Hardware

- Flip up hardware
- Fits SEA-11NBEX Seat



PART NO.	DESCRIPTION
SEA-94000BEX	Flip Up Hardware For SEA-11NBEX



PALLET QTY



BOX DIMENSIONS

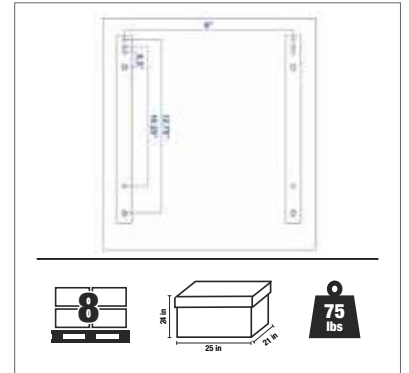


SHIP WEIGHT

Black Economy Cab Suspension Seat

- Premium black cloth
- Fore / aft adjustment
- Mechanical suspension
- Adjustable arm & head rest
- Includes seat belt
- Black

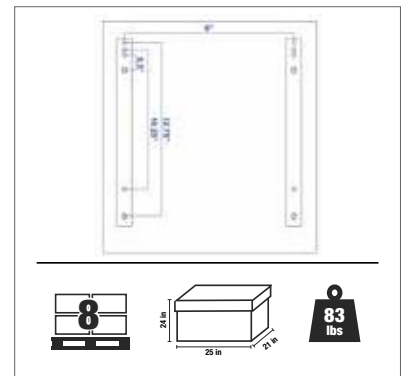
PART NO.	DESCRIPTION
SEA-SC253000X	Economy Cab Suspension Seat, Black



Grey Deluxe Cab Suspension Seat

- Premium cloth
- Fore / aft adjustment
- Air suspension
- Adjustable arm & head rest
- Includes seat belt
- Grey

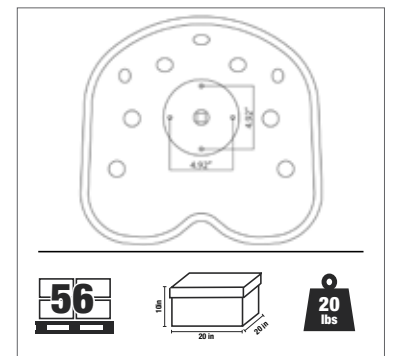
PART NO.	DESCRIPTION
SEA-18DCSBEX	Deluxe Cab Suspension Seat, Grey



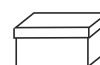
Black Steel Pan Seat

- Steel pan seat
- Includes hardware
- Black

PART NO.	DESCRIPTION
SEA-138BEX	Steel Pan Seat, Black



PALLET QTY



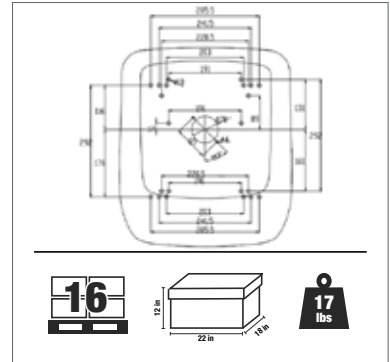
BOX DIMENSIONS



SHIP WEIGHT

Black Contoured Deluxe Seat

- Waterproof
- Includes drain holes
- Black



PART NO.	DESCRIPTION
SEA-450BEX	Contoured Deluxe Seat, Black

1 Piece Seat Covers

PART NO.	DESCRIPTION
SEA-50500BEX	1 Piece Seat Cover, Black



PART NO.	DESCRIPTION
SEA-50300BEX	1 Piece Seat Cover, Red & White



PART NO.	DESCRIPTION
SEA-50100BEX	1 Piece Seat Cover, Grey



PART NO.	DESCRIPTION
SEA-50200BEX	1 Piece HD Seat Cover, Grey



PALLET QTY



BOX DIMENSIONS

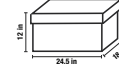
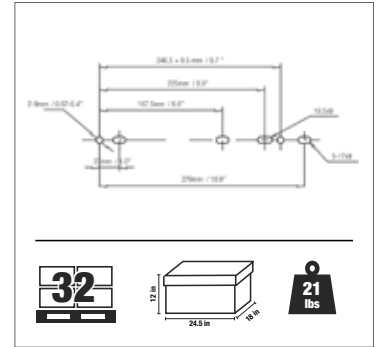


SHIP WEIGHT

Black Universal Non-Suspension Seat

- Leatherette upholstery
- Non-suspension
- Includes slide track
- Black

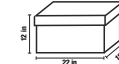
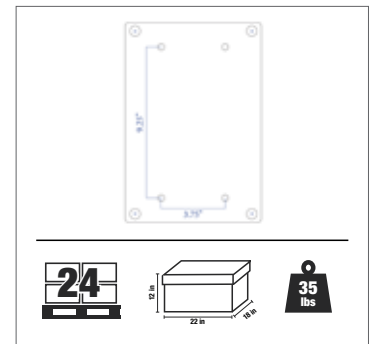
PART NO.	DESCRIPTION
SEA-508BEX	Universal Non-Suspension Seat, Black



Black Universal Suspension Seat

- Leatherette upholstery
- Fore / aft adjustment
- Weight adjustable suspension
- Black

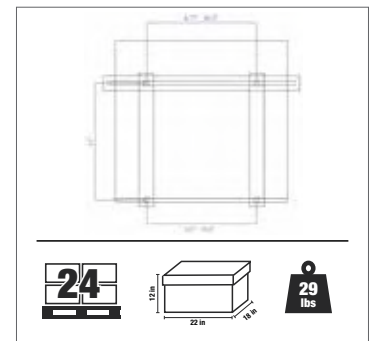
PART NO.	DESCRIPTION
SEA-12USSBEX	Universal Suspension Seat, Black



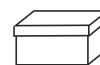
Black Universal Slide Seat

- PVC cover
- Non-suspension
- Includes slide track
- Black

PART NO.	DESCRIPTION
SEA-8WSBEX	Universal Slide Seat, Black



PALLET QTY



BOX DIMENSIONS



SHIP WEIGHT

Black Universal Slide Seat

- PVC cover
- Fore / aft adjustable
- Black

PART NO.	DESCRIPTION
SEA-23UGBEX	Universal Slide Seat, Black



Black Universal Narrow Seat

- Steel back
- Narrow
- Black

PART NO.	DESCRIPTION
CMP3100X	Universal Narrow Seat, Black



Black Universal Wide Seat

- Steel back
- Wide
- Black

PART NO.	DESCRIPTION
CMP6100X	Universal Wide Seat, Black




PALLET QTY



BOX DIMENSIONS



SHIP WEIGHT

Black Universal Wide Seat

- Heavy duty vinyl
- Steel pan frame
- Waterproof
- Black

PART NO.	DESCRIPTION
SEA-LG6LBEX	Universal Wide Seat, Black



Black Universal Wide Seat - 8 Pack

- Heavy duty vinyl
- Steel pan frame
- Waterproof
- Black
- 8 pack merchandiser

PART NO.	DESCRIPTION
SEA-LG6LBE-8X	Universal Wide Seat, Black, 8 Pack



Black Universal Pan Seat

- Heavy duty vinyl
- Steel pan frame
- Waterproof
- Black

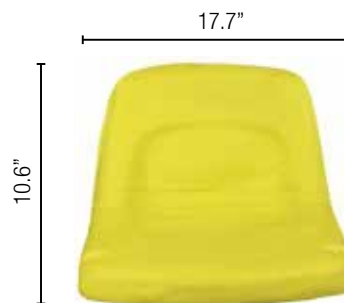
PART NO.	DESCRIPTION
SEA-LG6BEX	Universal Pan Seat, Black



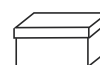
Yellow Universal Pan Seat

- Heavy duty vinyl
- Steel pan frame
- Waterproof
- Yellow

PART NO.	DESCRIPTION
SEA-LG6YBEX	Universal Pan Seat, Yellow




PALLET QTY



BOX DIMENSIONS



SHIP WEIGHT

Black Deluxe High Steel Back Seat

- High density foam
- High steel back
- Universal mount
- Waterproof
- Extended back rest
- Black

PART NO.	DESCRIPTION
SEA-135BEX	Deluxe High Steel Back Seat, Black

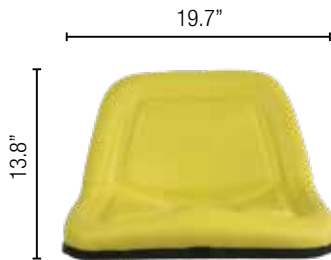


28

Yellow Deluxe High Steel Back Seat

- High density foam
- High steel back
- Universal mount
- Waterproof
- Extended back rest
- Yellow

PART NO.	DESCRIPTION
SEA-135YBEX	Deluxe High Steel Back Seat, Yellow



28

Universal High Back Compact Seat

- Heavy duty vinyl
- Molded frame
- Universal mount
- Waterproof
- Black

PART NO.	DESCRIPTION
SEA-800007X	Universal Seat, Black



32



PALLET QTY



BOX DIMENSIONS

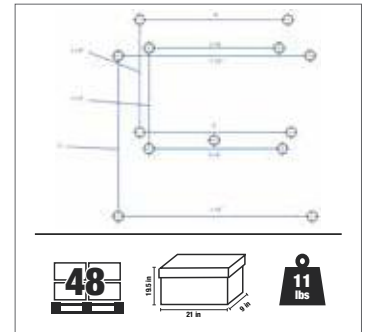


SHIP WEIGHT

Black Low Back Seat

- Heavy duty vinyl
- Steel frame
- Deluxe cushion
- Low back
- Universal mount
- Waterproof
- Black

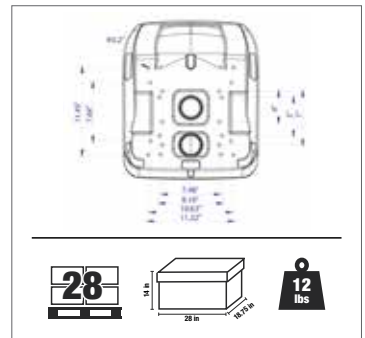
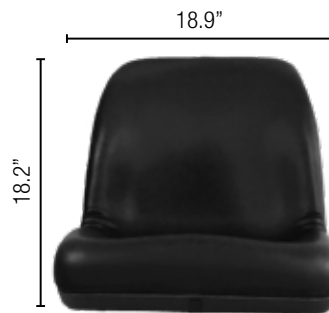
PART NO.	DESCRIPTION
SEA-INI054X	Low Back Seat, Black



Black Universal Ultra High Back Seat

- Integral polyurethane
- Heavy duty vinyl cover
- Waterproof
- Includes drain holes
- Accepts operator presence switch
- Black

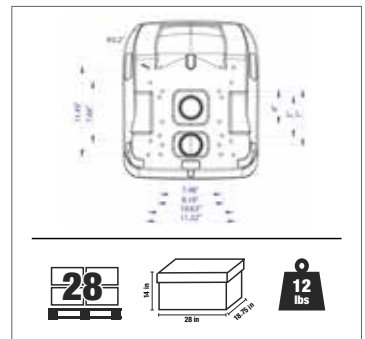
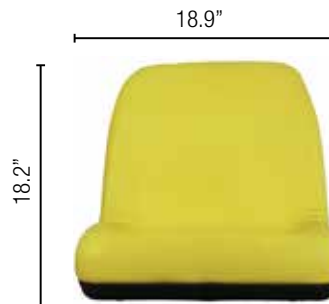
PART NO.	DESCRIPTION
SEA-14010BEX	Universal Seat, Black



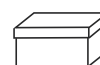
Yellow Universal Ultra High Back Seat

- Integral polyurethane
- Heavy duty vinyl cover
- Waterproof
- Includes drain holes
- Accepts operator presence switch
- Yellow

PART NO.	DESCRIPTION
SEA-14010YBEX	Universal Seat, Yellow



PALLET QTY



BOX DIMENSIONS

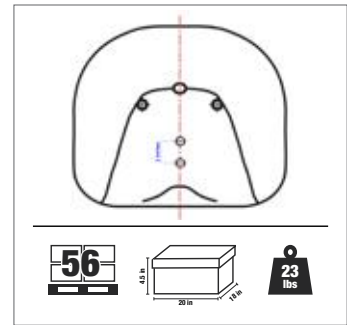


SHIP WEIGHT

Padded Pan Seat

- Heavy duty vinyl
- Steel frame
- Universal mount
- Waterproof
- Includes drain holes
- Black

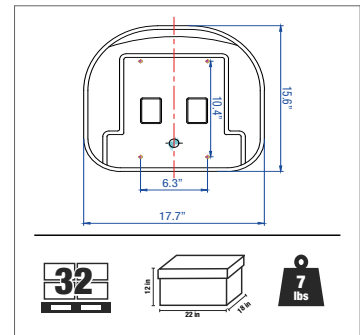
PART NO.	DESCRIPTION
SEA-100BEX	Padded Pan Seat, Black



Low Back Pan Seat

- Steel pan seat
- Waterproof
- Includes drain holes
- Black

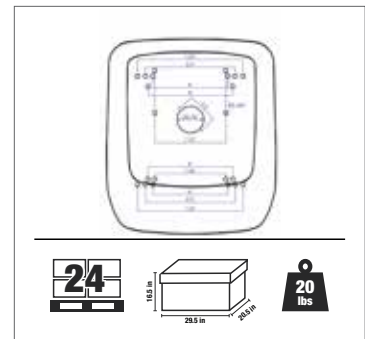
PART NO.	DESCRIPTION
SEA-7PNBEX	Low Back Pan Seat, Black



Deluxe Contoured Seat

- Waterproof
- Includes drain hole
- Heavy duty slides
- Black

PART NO.	DESCRIPTION
SEA-450SBEX	Deluxe Contoured Seat, Black



PALLET QTY



BOX DIMENSIONS

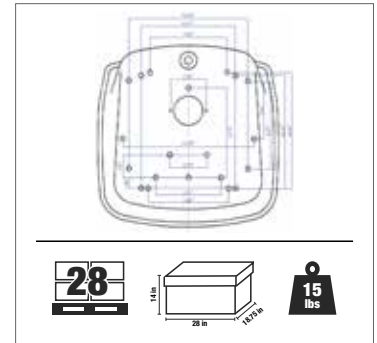


SHIP WEIGHT

Compact Tractor Seat

- Steel pan frame
- Heavy duty vinyl cover
- Includes drain holes
- Accepts operator switch

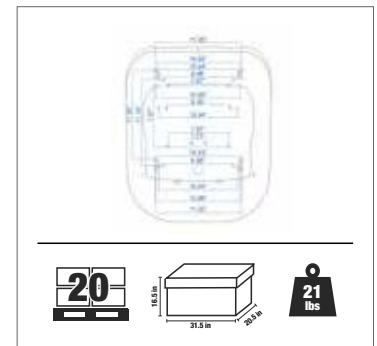
PART NO.	DESCRIPTION
SEA-53000BEX	Compact Tractor Seat, Black



High Steel Back Pan Seat

- Heavy duty vinyl
- Steel pan frame
- Waterproof
- Includes drain holes
- Heavy duty slides
- Accepts operator switch

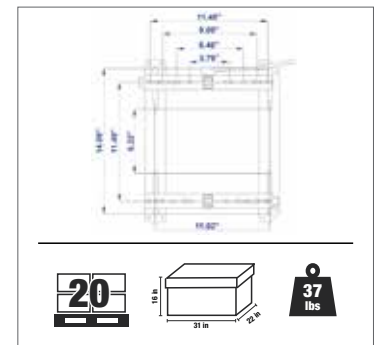
PART NO.	DESCRIPTION
SEA-46000BEX	High Steel Back Pan Seat, Black



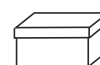
Universal Cab Seat

- Heavy duty vinyl
- Adjustable arm rests
- Folding seat back
- Adjustable slides
- Document pocket in seat back
- Black

PART NO.	DESCRIPTION
SEA-44002BEX	Universal Cab Seat, Black



PALLET QTY



BOX DIMENSIONS

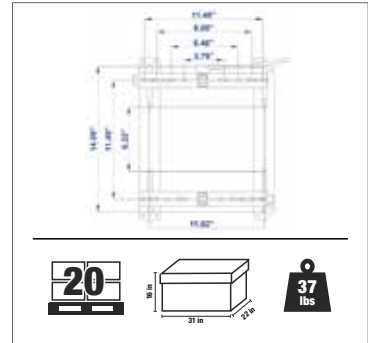


SHIP WEIGHT

Universal Cab Seat

- Cordura fabric
- Folding seat back
- Adjustable arm and back rests
- Water resistant
- Adjustable slides
- Document pocket in seat back
- Black

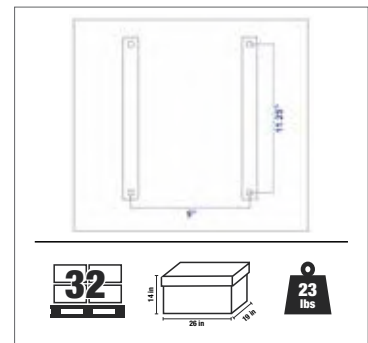
PART NO.	DESCRIPTION
SEA-44000BEX	Universal Cab Seat, Black



Universal Forklift Seat

- Leatherette upholstery
- High density foam cushion
- Non-folding seat back
- Fore / aft adjustable
- Black

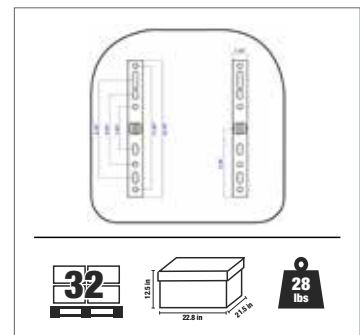
PART NO.	DESCRIPTION
SEA-300INDBEX	Universal Forklift Seat, Black



Universal Fold Down Seat

- Leatherette upholstery
- Steel frame
- Heavy duty vinyl cover
- Molded cushion
- Folding seat back
- Fore / aft adjustable
- Adjustable arm rests
- Includes slide track
- Black

PART NO.	DESCRIPTION
SEA-35500BEX	Universal Fold Down Seat, Black



PALLET QTY



BOX DIMENSIONS

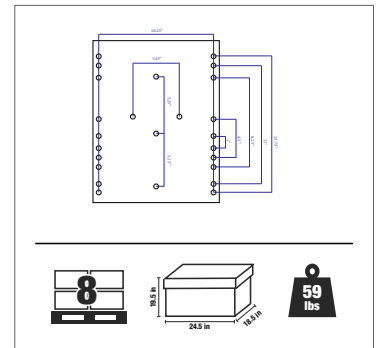


SHIP WEIGHT

Universal Industrial Suspension Seat

- Leatherette upholstery
- Folding seat back
- Fore / aft adjustable
- Weight adjustable suspension
- Black

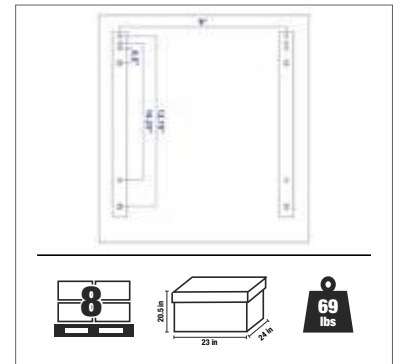
PART NO.	DESCRIPTION
SEA-SU35500BEX	Universal Industrial Suspension Seat, Black



Deluxe Industrial Suspension Seat

- Leatherette upholstery
- High density foam cushion
- Folding seat back
- Fore / aft adjustable
- Mechanical suspension
- Accepts operator presence switch

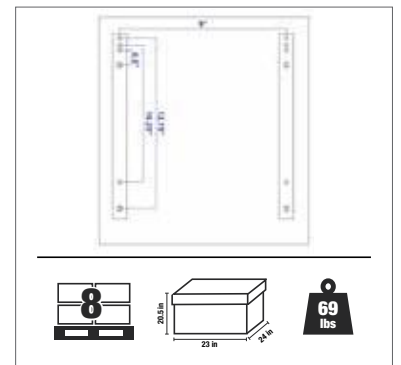
PART NO.	DESCRIPTION
SEA-SHA35500BEX	Deluxe Industrial Suspension Seat, Black



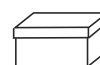
Deluxe Industrial Suspension Seat

- Cloth upholstery
- High density foam cushion
- Folding seat back
- Fore / aft adjustable
- Mechanical suspension
- Includes seat belt
- Accepts operator presence switch

PART NO.	DESCRIPTION
SEA-33001BEX	Deluxe Industrial Suspension Seat, Black



PALLET QTY



BOX DIMENSIONS

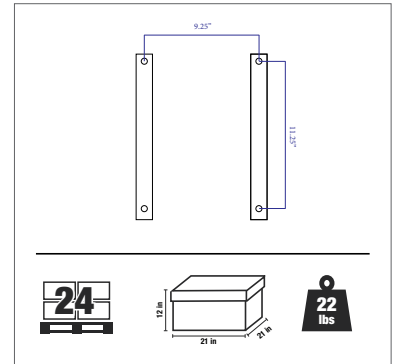


SHIP WEIGHT

Universal Slide Industrial Seat

- PVC cover
- Fore / aft adjustable
- Black

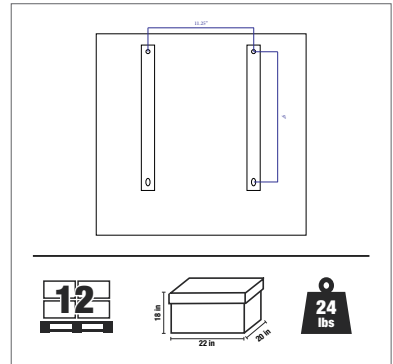
PART NO.	DESCRIPTION
SEA-MUL002BEX	Universal Slide Industrial Seat, Black



Universal Wrap Seat

- Industrial wrap seat
- Fore / aft adjustable
- Document pocket in seat back
- Black

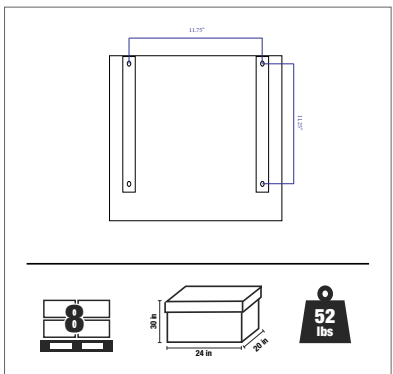
PART NO.	DESCRIPTION
SEA-50DIBEX	Universal Wrap Seat, Black



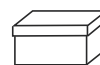
Universal Industrial Suspension Seat

- Industrial wrap seat
- Adjustable back rest
- Fore / aft adjustable
- Weight adjustable suspension
- Document pocket in seat back
- Black

PART NO.	DESCRIPTION
SEA-509SDIBEX	Universal Industrial Suspension Seat, Black



PALLET QTY



BOX DIMENSIONS



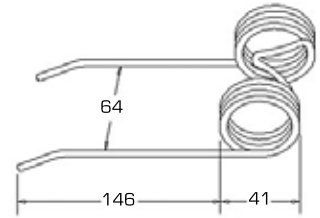
SHIP WEIGHT

Rake Tines

PART NO.	OEM NO.
45.131.673X	131673



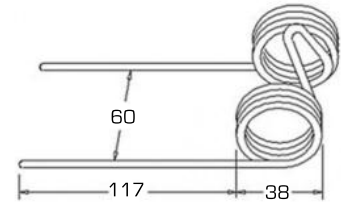
Part No. 45.131.673X



PART NO.	OEM NO.
45.061.295X	E61295



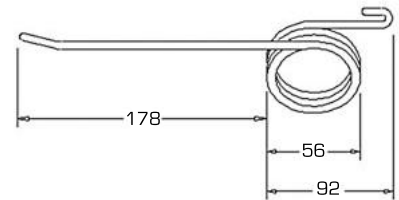
Part No. 45.061.295X



PART NO.	OEM NO.
45.000.257X	TP257SE



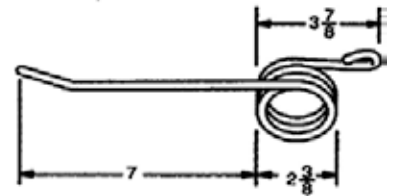
Part No. 45.000.257X



PART NO.	OEM NO.
45.064.562X	64562, Yellow



Part No. 45.064.562X

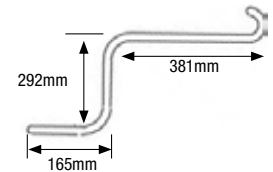


Fingerwheel Tines

PART NO.	OEM NO.
45.000.176X	203055



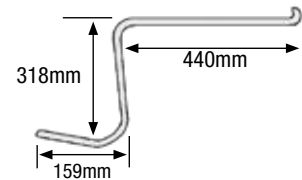
Part No. 45.000.176X



PART NO.	OEM NO.
45.092.611X	92611



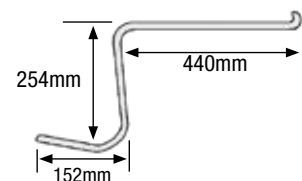
Part No. 45.092.611X



PART NO.	OEM NO.
45.036.133X	229139



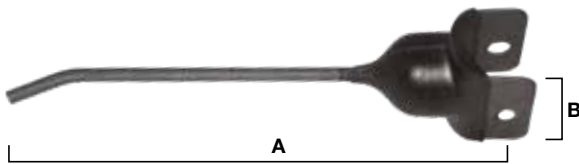
Part No. 45.036.133X



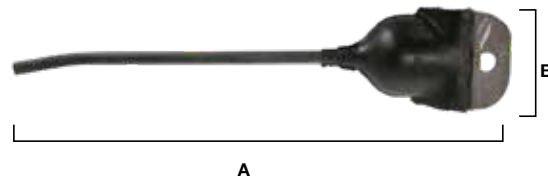
Rubber Rake Teeth

PART NO.	OEM NO.	DIRECTION	HOLE SIZE	A	B	HOLES
45.300.916X	300916			10"	1-5/8"	Offset
45.300.718X	300718		10mm	9-3/4"	1-3/4"	Centered
45.300.114X	300114	LH		10"	2"	Offset
45.300.213X	300213	RH		10"	2"	Offset
45.300.510X	300510			6-1/2"	4-1/4"	

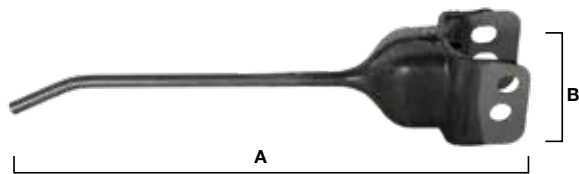
Part No. 45.300.916X



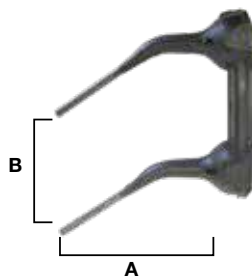
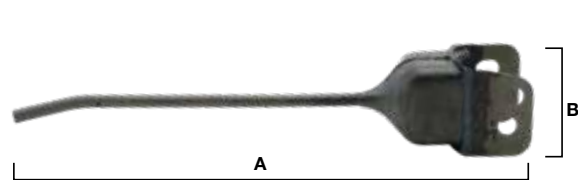
Part No. 45.300.718X



Part No. 45.300.114X



Part No. 45.300.213X



Part No. 45.300.510X

MEASUREMENT LEGEND

- A** USABLE LENGTH
- B** INSIDE OF MOUNT

G70 Chain Assemblies

PART NO.	GRADE	WLL	SIZE
64.016.516X	G70	4,700 lbs	5/16" x 16 ft w/ Hooks
64.016.038X	G70	6,600 lbs	3/8" x 16 ft w/ Hooks
64.020.516X	G70	4,700 lbs	5/16" x 20 ft w/ Hooks
64.020.038X	G70	6,600 lbs	3/8" x 20 ft w/ Hooks
64.025.038X	G70	6,600 lbs	3/8" x 25 ft w/ Hooks
64.020.005X	G70	11,300 lbs	1/2" x 20 ft w/ Hooks



Part No. 64.016.516X

Agricultural Safety Chain Assemblies

PART NO.	GRADE	WLL	SIZE
64.358.014X	G70	10,000 lbs	58" Chain w/ 1/4" Hook
64.367.516X	G70	16,100 lbs	67" Chain w/ 5/16" Hook
64.362.038X	G70	20,000 lbs	62" Chain w/ 3/8" Hook
64.362.012X	G70	40,000 lbs	62" Chain w/ 1/2" Hook



Part No. 64.358.014X

Load Binders

PART NO.	GRADE	WLL	MBS	SIZE	STYLE
64.100.000X	G70	250 lbs	800 lbs	3/16" - 1/4"	Mini Lever
64.100.001X	G70	2,600 lbs	7,800 lbs	1/4" - 5/16"	Lever
64.100.002X	G70	5,400 lbs	19,000 lbs	5/16" - 3/8"	Lever
64.100.003X	G70	9,200 lbs	28,000 lbs	1/2"	Lever
64.101.002X	G70	5,400 lbs	19,000 lbs	5/16" - 3/8"	Indirect
64.199.002X	G70	5,400 lbs	19,000 lbs	5/16" - 3/8"	Ratchet
64.199.003X	G70	12,000 lbs	33,000 lbs	3/8" - 1/2"	Ratchet



Part No. 64.100.001X



Part No. 64.100.000X



Part No. 64.101.002X



Part No. 64.199.002X

Chain In Buckets

PART NO.	GRADE	WLL	WIDTH	LENGTH	BUCKET	FINISH
64.218.400X	G30	375 lbs	1/8"	400 ft	P4	EG
64.236.190X	G30	800 lbs	3/16"	190 ft	P4	EG
64.214.110X	G30	1,900 lbs	1/4"	110 ft	P4	EG
64.251.670X	G30	2,650 lbs	5/16"	70 ft	P4	EG
64.238.050X	G30	1,300 lbs	3/8"	50 ft	P4	EG



Part No. 64.218.400X

PART NO.	GRADE	WLL	WIDTH	LENGTH	BUCKET	FINISH
64.914.110X	G30	1,900 lbs	1/4"	110 ft	P4	HDG
64.900.316X	G30	800 lbs	3/16"	190 ft	P4	HDG
64.951.670X	G30	1,300 lbs	5/16"	70 ft	P4	HDG
64.938.050X	G30	2,650 lbs	3/8"	50 ft	P4	HDG



Part No. 64.914.110X

PART NO.	GRADE	WLL	WIDTH	LENGTH	BUCKET	FINISH
64.114.110X	G70	3,150 lbs	1/4"	110 ft	P4	GC
64.151.670X	G70	4,700 lbs	5/16"	70 ft	P4	GC
64.138.050X	G70	6,600 lbs	3/8"	50 ft	P4	GC



Part No. 64.114.110X

LEGEND

- EG** Electrogalvanized
- HDG** Hot Dipped Galvanized
- GC** Gold Chromate
- BO** Black Oxide



P4 Bucket (35 kg)



P14 Drum (125 kg)



P15 Drum (250 kg)

Chain In Drums

PART NO.	GRADE	WLL	WIDTH	LENGTH	DRUM	FINISH
64.900.025X	G30	1,300 lbs	1/4"	800 ft	P15	HDG
64.900.516X	G30	1,900 lbs	5/16"	550 ft	P15	HDG
64.900.038X	G30	2,650 lbs	3/8"	400 ft	P15	HDG
64.900.050X	G30	4,500 lbs	1/2"	200 ft	P15	HDG



Part No. 64.900.025X

PART NO.	GRADE	WLL	WIDTH	LENGTH	DRUM	FINISH
64.200.025X	G30	1,300 lbs	1/4"	400 ft	P14	EG
64.200.516X	G30	1,900 lbs	5/16"	275 ft	P15	EG
64.200.038X	G30	2,650 lbs	3/8"	200 ft	P14	EG
64.200.050X	G30	4,500 lbs	1/2"	200 ft	P15	EG



Part No. 64.200.025X

PART NO.	GRADE	WLL	WIDTH	LENGTH	DRUM	FINISH
64.300.025X	G43	2,600 lbs	1/4"	400 ft	P14	EG
64.300.516X	G43	3,250 lbs	5/16"	275 ft	P14	EG
64.300.038X	G43	5,400 lbs	3/8"	200 ft	P14	EG
64.300.050X	G43	9,200 lbs	1/2"	100 ft	P15	EG



Part No. 64.300.025X

PART NO.	GRADE	WLL	WIDTH	LENGTH	DRUM	FINISH
64.100.025X	G70	3,150 lbs	1/4"	400 ft	P14	GC
64.100.516X	G70	4,700 lbs	5/16"	275 ft	P14	GC
64.100.038X	G70	6,600 lbs	3/8"	200 ft	P14	GC
64.100.050X	G70	11,300 lbs	1/2"	100 ft	P15	GC



Part No. 64.100.025X

PART NO.	GRADE	WLL	WIDTH	LENGTH	DRUM	FINISH
64.108.516X	G80	4,500 lbs	5/16"	200 ft	P14	BO
64.108.038X	G80	7,100 lbs	3/8"	200 ft	P14	BO
64.108.050X	G80	12,000 lbs	1/2"	200 ft	P14	BO



Part No. 64.108.038X

PART NO.	GRADE	WLL	WIDTH	LENGTH	DRUM	FINISH
64.109.516X	G100	5,700 lbs	5/16"	200 ft	P14	BO
64.109.038X	G100	8,800 lbs	3/8"	200 ft	P14	BO
64.109.050X	G100	15,000 lbs	1/2"	200 ft	P14	BO



Part No. 64.109.038X

LEGEND

EG	Electrogalvanized
HDG	Hot Dipped Galvanized
GC	Gold Chromate
BO	Black Oxide

Grab Hooks

PART NO.	GRADE	WLL	SIZE	FINISH
64.000.009X	G43	2,600 lbs	1/4"	EG
64.000.010X	G43	3,900 lbs	5/16"	EG
64.000.011X	G43	5,400 lbs	3/8"	EG
64.100.009X	G70	3,150 lbs	1/4"	GC
64.100.010X	G70	4,700 lbs	5/16"	GC
64.100.011X	G70	6,600 lbs	3/8"	GC



Part No. 64.000.009X

Grab Hooks With Safety Locks

PART NO.	GRADE	WLL	SIZE	FINISH
64.111.009X	G70	3,150 lbs	1/4"	GC
64.111.010X	G70	4,700 lbs	5/16"	GC
64.111.011X	G70	6,600 lbs	3/8"	GC
64.111.012X	G70	11,300 lbs	1/2"	GC



Part No. 64.111.009X

Slip Hooks

PART NO.	GRADE	WLL	SIZE	FINISH
64.307.006X	G43	2,600 lbs	1/4"	EC
64.307.007X	G43	3,900 lbs	5/16"	EC
64.307.008X	G43	5,400 lbs	3/8"	EC
64.100.006X	G70	3,150 lbs	1/4"	GC
64.100.007X	G70	4,700 lbs	5/16"	GC
64.100.008X	G70	6,600 lbs	3/8"	GC
64.100.013X	G70	11,300 lbs	1/2"	GC



Part No. 64.307.006X

Slip Hooks With Safety Locks

PART NO.	GRADE	WLL	SIZE	FINISH
64.310.006X	G43	2,600 lbs	1/4"	EC
64.310.007X	G43	3,900 lbs	5/16"	EC
64.310.008X	G43	5,400 lbs	3/8"	EC
64.110.006X	G70	3,150 lbs	1/4"	GC
64.110.007X	G70	4,700 lbs	5/16"	GC
64.110.008X	G70	6,600 lbs	3/8"	GC
64.110.009X	G70	11,300 lbs	1/2"	GC



Part No. 64.310.006X

Chain Connectors

PART NO.	GRADE	WLL	SIZE	FINISH
64.777.516X	G43	3,900 lbs	1/4" - 5/16"	Zinc Plated
64.777.038X	G70	6,600 lbs	3/8"	Zinc Plated
64.777.050X	G70	11,300 lbs	1/2"	Zinc Plated
64.000.003X	G70	4,700 lbs	3/8"	Black Powder Coated
64.000.004X	G70	6,600 lbs	1/4" - 5/16"	Black Powder Coated
64.000.005X	G70	11,300 lbs	7/16" - 1/2"	Black Powder Coated



Part No. 64.777.516X



Part No. 64.000.003X

Weld-On Bucket Hooks

PART NO.	SIZE	FINISH
64.500.516X	5/16"	Self
64.500.038X	3/8"	Self
64.500.076X	1/4"	Self
64.500.012X	1/2"	Self



Part No. 64.500.516X

Lanyard / Winch Hooks

PART NO.	SIZE	FINISH
64.612.136X	1/4"	Safety Winch w/ Hook
64.612.137X	3/4"	Lanyard, Single
64.612.138X	1"	Lanyard, Double



Part No. 64.612.136X

LEGEND

EG	Electrogalvanized
HDG	Hot Dipped Galvanized
GC	Gold Chromate
BO	Black Oxide

4" Truck Cargo Strap

- Extra heavy duty yellow standard treated webbing
- 5,000 lb load capacity
- Ratchet assembly not included

PART NO.	DESCRIPTION	SIZE	RATCHET END
MC04603	Winch Strap	4" x 30 ft	Triangle



Part No. MC04603

4" Winch

- Black powder coated finish

PART NO.	DESCRIPTION	BREAK STRENGTH
BCNH05334	4" Slide-on Winch	5,500 lb
MC05314	4" Weld-on Winch	15,000 lb
MC05324	4" Bolt-on Winch	12,000 lb



Part No. MC05324

Part No. BCNH05334

Part No. MC05314

Winch Bar

- Knurled grip
- 5,000 lb break strength

PART NO.	DESCRIPTION	LENGTH
MC05304	Winch Bar	32"
BCNH05305	Combination Winch Bar	40"



Part No. MC05304



Part No. BCNH05305

Fifth Wheel Pin Puller

- Reduces risk of injury
- Solid steel construction

PART NO.	DESCRIPTION
BCNH05306	35" Pin Puller



Part No. BCNH05306

Trailer Safety Chain Assembly

PART NO.	DESCRIPTION	SIZE
64.325.024X	G43 Light Duty Safety Chain With Open S-Hook (For Small Trailers)	24"



Part No. 64.325.024X

Spring Clips

PART NO.	SIZE	FINISH
65.500.071X	1/8" x 2"	Zinc Plated
65.500.072X	1/4" x 2-2/3"	Zinc Plated
65.500.074X	5/16" x 3"	Zinc Plated
65.500.076X	8" x 4"	Zinc Plated



Part No. 64.500.071X

Quick Links

PART NO.	SIZE	FINISH
64.600.030X	1/8"	Bright Zinc
64.600.031X	3/16"	Bright Zinc
64.600.032X	1/4"	Bright Zinc
64.600.033X	5/16"	Bright Zinc
64.600.034X	3/8"	Bright Zinc
64.600.035X	7/16"	Bright Zinc
64.600.036X	1/2"	Bright Zinc



Part No. 64.600.030X

Cable Thimbles

PART NO.	DESCRIPTION	SIZE
64.424.041X	Cable Thimble	1/8"
64.424.042X	Cable Thimble	3/16"
64.424.043X	Cable Thimble	1/4"
64.424.044X	Cable Thimble	5/16"
64.424.045X	Cable Thimble	3/8"
64.424.047X	Cable Thimble	1/2"
64.424.063X	HD Cable Thimble	1/4"
64.424.064X	HD Cable Thimble	5/16"
64.424.065X	HD Cable Thimble	3/8"
64.424.067X	HD Cable Thimble	1/2"
64.424.069X	HD Cable Thimble	5/8"



Part No. 64.424.041X

Link Lap

PART NO.	SIZE	FINISH
64.600.000X	1/8"	Bright Zinc
64.600.001X	3/8"	Bright Zinc
64.600.002X	1/4"	Bright Zinc
64.600.003X	5/16"	Bright Zinc
64.600.004X	2/8"	Bright Zinc



Part No. 64.600.000X

Galvanized Aircraft Cable

PART NO.	SIZE
64.424.999X	3/32" x 500 ft



Part No. 64.424.999X

Double Chain Swivel

PART NO.	SIZE
64.400.444X	1/4"
64.400.445X	5/16"



Part No. 64.400.445X

Mini Cable Cutter

PART NO.	SIZE
64.424.000X	Up To 3/16"



Part No. 64.424.000X

Aluminum Cable Sleeves

PART NO.	DESCRIPTION	SIZE
64.424.080X	Cable Sleeve 10 Pack	1/16" x 3/8"
64.424.081X	Cable Sleeve 10 Pack	3/32" x 1/2"
64.424.082X	Cable Sleeve 10 Pack	1/8" x 5/8"
64.424.083X	Cable Sleeve 10 Pack	5/32" x 9/16"
64.424.084X	Cable Sleeve 5 Pack	3/16" x 1"
64.424.085X	Cable Sleeve 6 Pack	1/4" x 1/8"



Part No. 64.424.080X

Turnbuckles

PART NO.	DESCRIPTION	SIZE
64.395.520X	Hook & Eye	3/16" x 3-3/4"
64.395.121X	Hook & Eye	5/16" x 4-1/2"
64.395.141X	Hook & Eye	5/16" x 4-1/2"
64.395.524X	Hook & Eye	5/16" x 5-3/4"
64.395.525X	Hook & Eye	5/16" x 6-3/4"
64.395.120X	Hook & Eye	1/4" x 4"
64.395.140X	Hook & Eye	1/4" x 4"
64.395.522X	Hook & Eye	1/4" x 4-1/2"
64.395.523X	Hook & Eye	1/4" x 6"
64.395.122X	Hook & Eye	3/8" x 6"
64.395.142X	Hook & Eye	3/8" x 6"
64.395.124X	Hook & Eye	1/2" x 6"
64.395.144X	Hook & Eye	1/2" x 6"
64.395.101X	Hook & Hook	5/16" x 4-1/2"
64.395.102X	Hook & Hook	3/8" x 6"
64.395.104X	Hook & Hook	1/2" x 6"
64.395.161X	Jaw & Jaw	5/16" x 4-1/2"
64.395.160X	Jaw & Jaw	1/4" x 4"
64.395.162X	Jaw & Jaw	3/8" x 6"
64.395.164X	Jaw & Jaw	1/2" x 6"



Hook & Hook
Part No. 64.395.101X



Hook & Eye
Part No. 64.395.121X



Jaw & Jaw
Part No. 64.395.161X

Wire Rope Clips

PART NO.	DESCRIPTION	SIZE
64.424.001X	Malleable Wire Rope	1/8"
64.424.002X	Malleable Wire Rope	3/16"
64.424.003X	Malleable Wire Rope	1/4"
64.424.004X	Malleable Wire Rope	5/16"
64.424.005X	Malleable Wire Rope	3/8"
64.424.007X	Malleable Wire Rope	1/2"
64.424.008X	Malleable Wire Rope	5/8"
64.424.009X	Malleable Wire Rope	3/4"
64.424.021X	Forged Wire Rope	1/8"
64.424.022X	Forged Wire Rope	3/16"
64.424.023X	Forged Wire Rope	1/4"
64.424.024X	Forged Wire Rope	5/16"
64.424.025X	Forged Wire Rope	3/8"
64.424.027X	Forged Wire Rope	1/2"



Part No. 64.424.007X

Shackle Anchors

- Comes with galvanized screw
- Not Rated

PART NO.	SIZE	FINISH
64.400.020X	1/4"	HDG
64.400.021X	5/16"	HDG
64.400.022X	3/8"	HDG
64.400.023X	7/16"	HDG
64.400.024X	1/2"	HDG
64.400.025X	5/8"	HDG
64.400.026X	3/4"	HDG
64.400.027X	7/8"	HDG
64.400.028X	1"	HDG
64.400.029X	1/8"	HDG
64.400.030X	1/4"	HDG
64.400.031X	1-3/8"	HDG
64.400.032X	1-1/2"	HDG



Part No. 64.400.032X

Commercial Shackle Anchors

- Comes with galvanized screw
- Not Rated

PART NO.	SIZE	FINISH
64.398.020X	1/4"	HDG
64.398.021X	5/16"	HDG
64.398.022X	3/8"	HDG
64.398.023X	7/16"	HDG
64.398.024X	1/2"	HDG
64.398.025X	5/8"	HDG



Part No. 64.398.025X

Chain Shackles

- Comes with galvanized screw
- Not Rated

PART NO.	SIZE	FINISH
64.400.001X	1/4"	HDG
64.400.002X	5/16"	HDG
64.400.003X	3/8"	HDG
64.400.004X	7/16"	HDG
64.400.005X	1/2"	HDG



Part No. 64.400.005X

S-Hooks

PART NO.	SIZE	WLL
65.600.001X	1/8"	22 lbs
65.600.002X	5/32"	35 lbs
65.600.003X	3/16"	55 lbs
65.600.004X	1/4"	77 lbs
65.600.005X	5/16"	128 lbs



Part No. 65.600.001X

Snaps

PART NO.	DESCRIPTION	SIZE	WLL
68.500.001X	Round Swivel Snap, Malleable, Nickel Plated	3/8"	31 lbs
68.500.002X	Round Swivel Snap, Malleable, Nickel Plated	1/2"	35 lbs
68.500.003X	Round Swivel Snap, Malleable, Nickel Plated	5/8"	53 lbs
68.500.004X	Round Swivel Snap, Malleable, Nickel Plated	3/4"	35 lbs
68.500.011X	Square Swivel Snap, Malleable	1"	35 lbs
68.500.020X	Open Eye Snap, Malleable	3-1/2"	66 lbs
68.500.030X	Double Bolt Snap, Malleable	3-1/2"	42 lbs
68.500.040X	Round Swivel Scissor Snap, Malleable	1/2"	40 lbs
68.500.050X	Round Swivel Scissor Snap, Malleable	5/8"	44 lbs
68.500.051X	Fixed Eye Panic Snap, Malleable	1/2"	53 lbs
68.500.061X	Swivel Eye Panic Snap, Malleable	3/4"	53 lbs
68.500.062X	Security Snap, Malleable	1"	60 lbs
68.500.071X	Swivel Eye Lever Snap, Nickel Plated	3/4"	53 lbs
68.500.081X	Rope Snap, Steel	2-7/8"	53 lbs
68.500.100X	Spring Snap, Steel Alloy	3/8" x 2-1/2"	
68.500.200X	Baby Spring Snap	3/8" x 2-1/2"	



Part No. 68.500.090X



Part No. 68.500.100X



Part No. 68.500.200X



Part No. 68.500.001X



Part No. 68.500.030X



Part No. 68.500.061X



Part No. 68.500.011X



Part No. 68.500.040X



Part No. 68.500.071X



Part No. 68.500.020X



Part No. 68.500.050X



Part No. 68.500.081X

ALL CNH INDUSTRIAL LED LIGHTS SHARE THE SAME GREAT QUALITY BUILD AND COMPONENTS.



CAN BE USED ANYWHERE, ANYTIME
WORKING TEMP: -45°F TO 130°F (-42°C TO 54°C)

DIECAST ALUMINUM HOUSING
INCREASED DURABILITY & HEAT REDUCTION

ESTIMATED LIFESPAN: 50,000 HOURS
LONG LASTING INVESTMENT

POLYCARBONATE LENS
HIGH IMPACT RESISTANT

LOW AMP DRAW
CREATING LOW VEHICLE DEMAND

IP 67 WEATHER RATING
SEALED AGAINST DUST & WATER

COLOR TEMPERATURE: 6000°K WHITE
PROVIDES A SHARP, CRISP WHITE LIGHT SOURCE

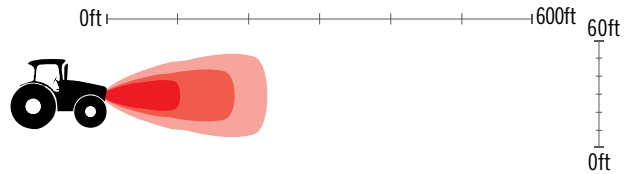
MOUNTING BRACKETS
MAKES INSTALLATION EASY





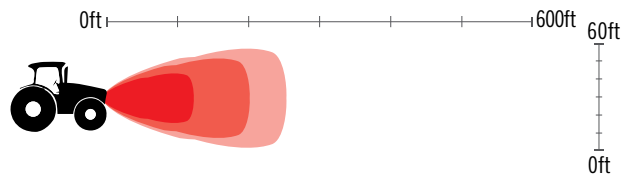
Flood Light - 6 Epistar® LEDs

PART NO.	DESCRIPTION	WATTS	LUMENS
LED1801	Flood Light - 6 Epistar® LEDs	18	1200



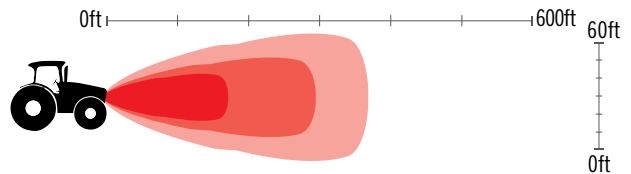
Flood Light - 6 Cree® LEDs

PART NO.	DESCRIPTION	WATTS	LUMENS
LED1803	Flood Light - 6 Cree® LEDs	18	2160



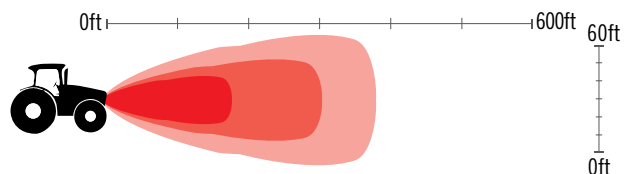
Flood Light - 14 Epistar® LEDs

PART NO.	DESCRIPTION	WATTS	LUMENS
LED4201	Flood Light - 14 Epistar® LEDs	42	3000

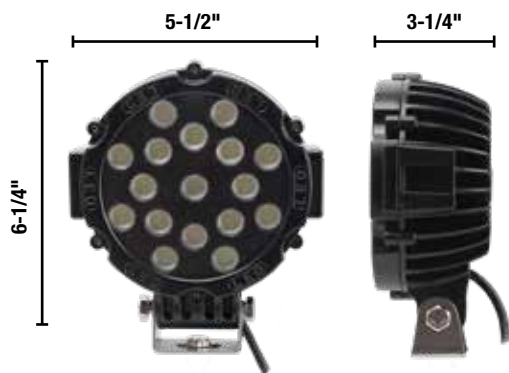


Flood Light - 16 Epistar® LEDs

PART NO.	DESCRIPTION	WATTS	LUMENS
LED4801	Flood Light - 16 Epistar® LEDs	48	3300

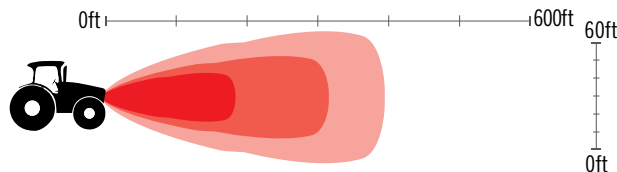


* Dimensions listed are the housing measurement, not including hardware



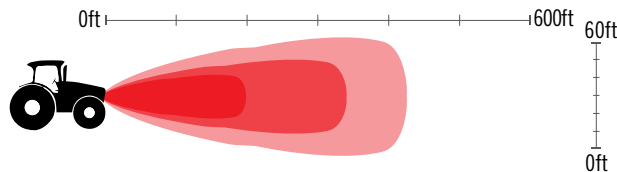
Flood Light - 17 Epistar® LEDs

PART NO.	DESCRIPTION	WATTS	LUMENS
LED5101	Flood Light - 17 Epistar® LEDs	51	3825



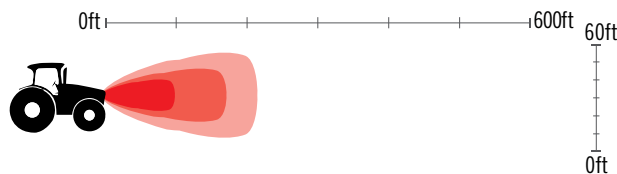
Flood Light - 6 Cree® LEDs

PART NO.	DESCRIPTION	WATTS	LUMENS
LED6001	Flood Light - 6 Cree® LEDs	60	7800



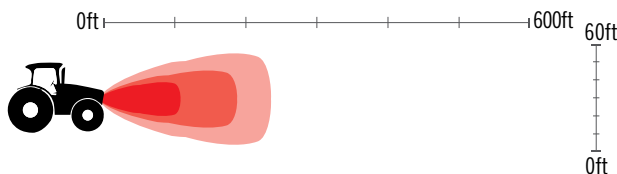
Portable Flood Light - 5 Epistar® LEDs

PART NO.	DESCRIPTION	WATTS	LUMENS
LED1501	Portable Flood Light - 5 Epistar® LEDs	15	1125



Flood Light - 6 Epistar® LEDs

PART NO.	DESCRIPTION	WATTS	LUMENS
LED1802	Flood Light - 6 Epistar® LEDs	18	1350

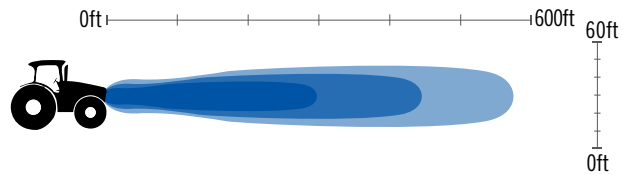


* Dimensions listed are the housing measurement, not including hardware



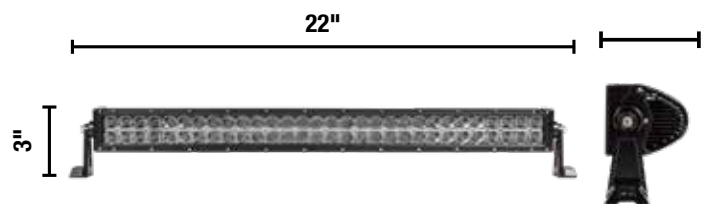
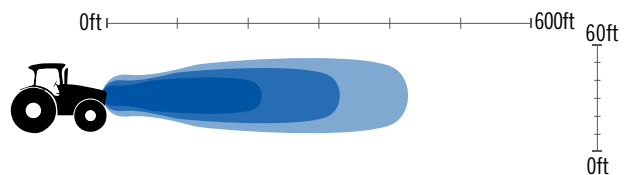
Spot Light - 6 Cree® LEDs

PART NO.	DESCRIPTION	WATTS	LUMENS
LED6001S	Spot Light - 6 Cree® LEDs	60	7800



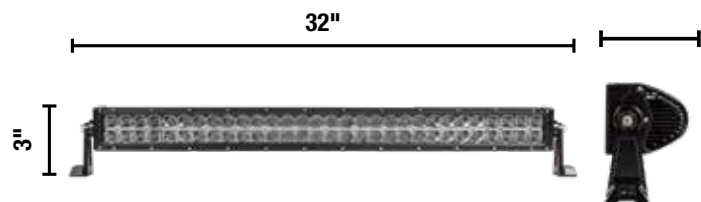
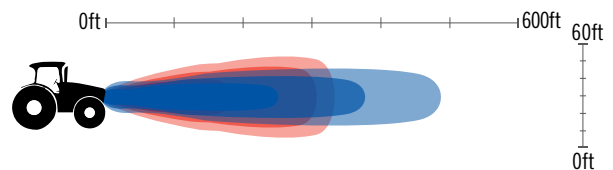
Spot Light - 9 Epistar® LEDs

PART NO.	DESCRIPTION	WATTS	LUMENS
LED2701S	Spot Light - 9 Epistar® LEDs	27	1755



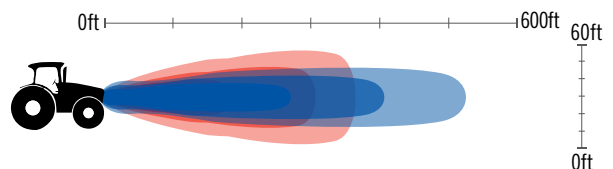
Flood/Spot Light Bar - 22"

PART NO.	DESCRIPTION	WATTS	LUMENS
BCNHLB22120	Flood/Spot Light Bar - 22"	120	9600

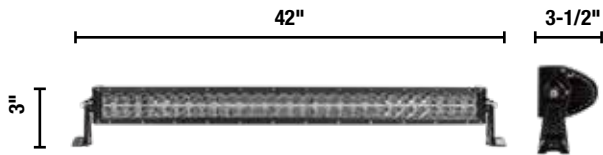


Flood/Spot Light Bar - 32"

PART NO.	DESCRIPTION	WATTS	LUMENS
BCNHLB32180	Flood/Spot Light Bar - 32"	180	14400

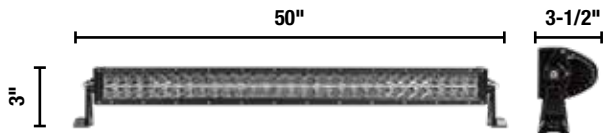
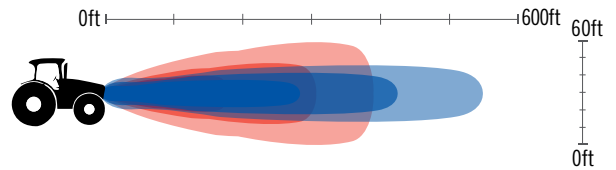


* Dimensions listed are the housing measurement, not including hardware



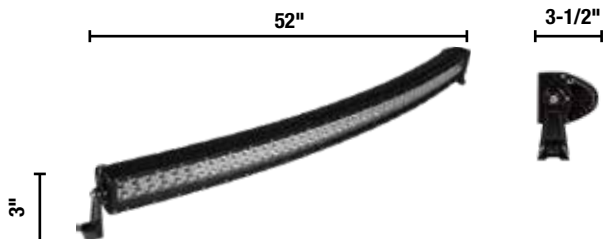
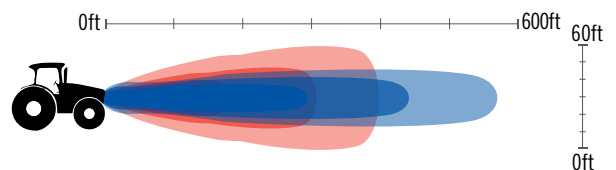
Flood/Spot Light Bar - 42"

PART NO.	DESCRIPTION	WATTS	LUMENS
BCNHLB42240	Flood/Spot Light Bar - 42"	240	19200



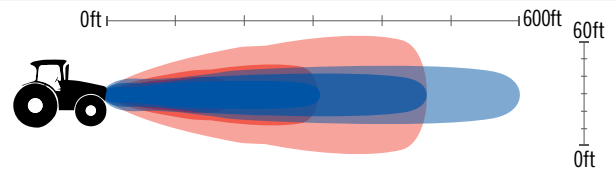
Flood/Spot Light Bar - 50"

PART NO.	DESCRIPTION	WATTS	LUMENS
BCNHLB50288	Flood/Spot Light Bar - 50"	288	23040



Curved Flood/Spot Light Bar - 52"

PART NO.	DESCRIPTION	WATTS	LUMENS
BCNHLB52300	Curved Flood/Spot Light Bar - 52"	300	28800

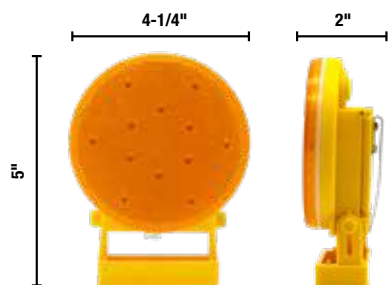


LED Light Wiring Harness

- 30 ft Wiring Harness
- 2 Sets Of Deutsch DT Connectors
- 30A Relay / Up To 360W
- Plug & Play - Easy Installation Of Any CNHi LED Lights

PART NO.	DESCRIPTION
LEDWH01	LED Light Wiring Harness

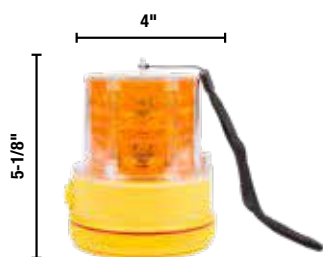
* Dimensions listed are the housing measurement, not including hardware



Portable Safety Light - Battery Operated

- Push Button Operation
- 3 User-Selectable Flash Patterns
- Magnetic Base
- 180° Adjustable
- 72 Hours Of Operation On 2X AA Batteries (Not Included)

PART NO.	DESCRIPTION
LS001	Portable Safety Light - Battery Operated



360° Safety Light - Battery Operated

- 24 Ultra-Bright LEDs
- Magnetic Base
- 60 Triple Flashes Per Minute
- 300-400 Hours Of Operation On 2X D Batteries (Not Included)

PART NO.	DESCRIPTION
LS002	360° Safety Light - Battery Operated



LED Safety Light

- 36W, 1800 Lumens
- Connects To 12V Car Outlet
- Magnetic Base
- 50,000 Hours Lifetime

PART NO.	DESCRIPTION
LS003	LED Safety Light - 12V



360° Beacon Light - High Pipe Mount

- DC 12-24V
- Meets IP56 Protection Standards-
- 30°C To 50°C / -22°F To 122°F Temperature Range
- 80 SMD5050 360° Revolving Flash / Intermittent Flash

PART NO.	DESCRIPTION
BL001	360° Beacon Light - High Pipe Mount



360° Beacon Light - Low Pipe Mount

- DC 12-24V
- Meets IP56 Protection Standards-
- 30°C To 50°C / -22°F To 122°F Temperature Range
- 80 SMD5050 360° Revolving Flash / Intermittent Flash

PART NO.	DESCRIPTION
BL002	360° Beacon Light - Low Pipe Mount

* Dimensions listed are the housing measurement, not including hardware



BLB901
SIDE MOUNT



BLB903
TOP FLUSH



BLB902
TOP MOUNT



BLB904
SIDE L-SHAPED

Brackets For Beacon Lights

- Copper And Rubber
- Fits Any CNHi Beacon Lights

PART NO.	DESCRIPTION
BLB901	Side Mount Bracket
BLB902	Top Mount Bracket
BLB903	Top Flush Bracket
BLB904	Side L-Shaped Bracket



LED Towing Light Kit

- 24 LEDs (12 On Each Side)
- 30 ft Wiring Harness Included
- Magnetic Base
- 100,000 Hours Lifetime

PART NO.	DESCRIPTION
BCNHLT1230	LED Towing Light Kit - 12V



Commercial Grade LED Towing Light Kit

- Carrying Case Included
- 30 ft Wiring Harness Included
- 7 ft Span Between Two Lights
- 60 lb Round Pull Magnets

PART NO.	DESCRIPTION
BCNHLTHD1230	Commercial Grade LED Towing Light Kit - 12V



Submersible LED Trailer Light Kit

- 22 ft Wiring Harness Included
- For Trailers Up To 80" Wide
- Mounting Hardware And License Plate Bracket
- DOT Certified

PART NO.	DESCRIPTION
BCNHLST1222	Submersible LED Trailer Light Kit - 12V

* Dimensions listed are the housing measurement, not including hardware

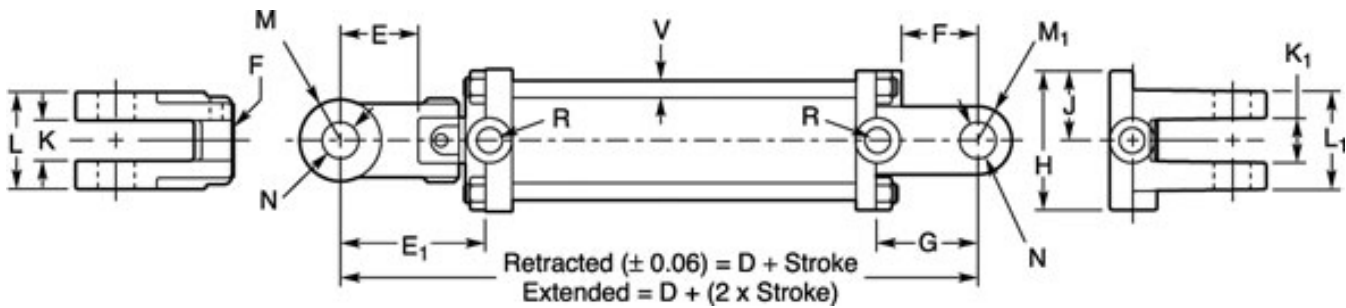
Hydraulic Cylinders

PART NO.	BORE SIZE	BORE X STROKE	RETRACT LENGTH	ROD DIAMETER	CLEVIS PIN DIAMETER	WEIGHT	PORT SIZE
46.002.008X	2"	2" x 8"	20-1/4"	1-1/8"	1"	18.74 lbs	3/8"
46.002.010X	2"	2" x 10"	20-1/4"	1-1/8"	1"	20 lbs	3/8"
46.002.012X	2"	2" x 12"	22-1/4"	1-1/8"	1"	21 lbs	3/8"
46.002.018X	2"	2" x 18"	28-1/4"	1-1/8"	1"	24.80 lbs	3/8"
46.025.008X	2-1/2"	2.5" x 8" A	20-1/4"	1-1/8"	1"	22 lbs	3/8"
46.025.010X	2-1/2"	2.5" x 10"	20-1/4"	1-1/8"	1"	22.04 lbs	3/8"
46.003.008X	3"	3" x 8" A	20-1/4"	1-1/4"	1"	28.66 lbs	1/2"
46.003.010X	3"	3" x 10"	20-1/4"	1-1/4"	1"	30.20 lbs	1/2"
46.003.012X	3"	3" x 12"	22-1/4"	1-1/4"	1"	30.86 lbs	1/2"
46.003.016X	3"	3" x 16" A	26-1/4"	1-1/4"	1"	30.61 lbs	1/2"
46.003.024X	3"	3" x 24" A	34-1/4"	1-1/8"	1"	47.55 lbs	1/2"
46.035.008X	3-1/2"	3.5" x 8" A	20-1/4"	1-1/8"	1-1/4"	32.58 lbs	1/2"
46.035.016X	3-1/2"	3.5" x 16" A	28-1/4"	1-1/8"	1-1/4"	45.15 lbs	1/2"
46.004.008X	4"	4" x 8" A	20-1/4"	1-1/8"	1-1/4"	38.58 lbs	1/2"

***A=ASAE ROD LENGTH.**



Part No. 46.002.008X



***SEE PAGE 62 FOR SIZING CHART**

GR2 Hitch Pin - Zinc Plated

PART NO.	PIN DIAMETER	USABLE LENGTH
87299329BUX	3/4"	6-1/4"
87299333BUX	1"	6-1/4"



Part No. 87299329BUX

GR5 Hitch Pin - Black Powder Coated

PART NO.	PIN DIAMETER	USABLE LENGTH
87299356BUX	3/4"	6-1/2"
87299359BUX	7/8"	6-1/2"
87299362BUX	1-1/4"	6-1/2"
87299364BUX	1-1/8"	7-1/2"
87299366BUX	1-1/4"	8-1/2"
87299367BUX	1-1/2"	8-1/2"



Part No. 87299356BUX

GR8 Hitch Pin - Black Powder Coated

PART NO.	PIN DIAMETER	USABLE LENGTH
87299816BUX	3/4"	6-1/2"
87299818BUX	7/8"	6-1/2"
87299820BUX	1"	7"



Part No. 87299816BUX

Top Link Pins

PART NO.	PIN DIAMETER	USABLE LENGTH	CATEGORY
87299310BUX	3-7/8"	3/4"	1



Part No. 87299310BUX

Liftarm Pins

PART NO.	PIN DIAMETER	USABLE LENGTH	CATEGORY
87299272BUX	7/8"	1-3/4"	1
87299286BUX	1-1/8"	1-3/4"	2



Part No. 87299272BUX

Top Links

PART NO.	COLLAPSED LENGTH	EXTENDED LENGTH	CATEGORY
87299168BUX	20-1/2"	31"	1
87299176BUX	21"	32-1/2"	2



Part No. 87299168BUX

Reducer Bushing

PART NO.	OUTER DIAMETER	INNER DIAMETER	OVERALL LENGTH
87299209BUX	1"	3/4"	1-15/16"



Part No. 87299209BUX

Lock Pins

PART NO.	PIN DIAMETER	USABLE LENGTH	STYLE
87299547BUX	5/16"	2-1/4"	Round
87299540BUX	1/4"	2-1/4"	Round
87299546BUX	5/16"	2-1/4"	Square
87299539BUX	1/4"	2-1/4"	Square



Part No. 87299547BUX



Part No. 87299539BUX

Lynch Pins

PART NO.	PIN DIAMETER	USABLE LENGTH
87299413BUX	1/4"	1-1/4"
87299410BUX	7/16"	1-1/4"
87299416BUX (Black Powder Coated)	7/16"	1-1/2"



Part No. 87299413BUX



Part No. 87299416BUX

Hair Pins

PART NO.	PIN DIAMETER	OVERALL LENGTH
87299394BUX	5/32"	2-15/16"
87299395BUX	3/16"	3-3/4"



Part No. 87299394BUX

Three Point Tow Hook



PART NO.	DESCRIPTION
64.500.340KITM	Lower Connection Tow Hitch, Cat 1
64.500.341KITM	Upper & Lower Connection, Cat 1
64.500.343KITM	Upper & Lower Connection, Cat 2, Heavy Duty



Part No. 64.500.340KITM



Part No. 64.500.341KITM



Part No. 64.500.343KITM

Ball Mount Tow Hook

PART NO.	DESCRIPTION
64.500.340B	Lower Connection Tow Hitch, Cat 1
64.500.341B	Upper & Lower Connection, Cat 1
64.500.343B	Upper & Lower Connection, Cat 2, Heavy Duty



Part No. 64.500.340B



Part No. 64.500.341B



Part No. 64.500.343B

Heavy Duty Trailer Mover

PART NO.	DESCRIPTION
64.500.344	HD Trailer Mover, Cat 1 Hitch



Part No. 64.500.344

Farm Jacks

- Multi-purpose jack for off-road, winching, pulling, clamping and agricultural applications
- Top winch-connector clamp
- Safe use information affixed to jack handle tube for easy reference

PART NO.	RATED CAPACITY	TESTED CAPACITY	HEIGHT	LIFT RANGE	CLAMPING CAPACITY	WINCHING CAPACITY
FJ-48X	4,660 lbs	7,000 lbs	48"	4-1/2" - 37"	750 lbs	5,000 lbs
FJ-60X	4,660 lbs	7,000 lbs	60"	4-1/2" - 48-1/4"	750 lbs	5,000 lbs



Part No. FJ-48X



Part No. FJ-60X

Farm Jack Foot Plate Accessory

- Reduces jack sinkage on soft ground
- Convenient to use, easy to store
- Can be used with FJ-48X and FJ-60X
- Durable foot plate increases support surface area and gives the jack more versatility



Part No. FJ-FPX

PART NO.	DESCRIPTION
FJ-FPX	Farm Jack Foot Plate

Weld Collar Jacks

PART NO.	BULLDOG NO.	DESCRIPTION	MAX LIFT	MAX LOAD	LIFT	HEIGHT
BE-020X	BD151401	Top Wind 10" Weld Collar	2000 lbs	2600 lbs	10"	11-1/4"
BE-050X	BD178201	Side Wind 10" Weld Collar	5000 lbs	6000 lbs	10"	10"
BE-520X	BD158488	Top Wind 15" Weld Collar	2000 lbs	2600 lbs	15"	15-5/8"
BE-550X	BD178203	Side Wind 15" Weld Collar	5000 lbs	6000 lbs	15"	15"
BE-1050X	BD178203	Top Wind 10" Weld Collar	5000 lbs	6000 lbs	10"	10-1/2"
BE-1020SX		Side Wind 10" Weld Collar	2000 lbs	2600 lbs	10"	11-1/4"
BE-5202X	BD150152	Side Wind 15" No Collar, No Base	2000 lbs	2600 lbs	15"	26"



Part No. BE-5202X



Part No. BE-020X



Part No. BE-050X



Part No. BE-1020SX

A-Frame Jacks

PART NO.	BULLDOG NO.	DESCRIPTION	MAX LIFT	MAX LOAD	LIFT
BE-120X	BD155022	Jack, Top Wind, A Frame	2000 lbs	2600 lbs	13-1/2"
BE-130X	BDRV20000303	Jack, Side Wind, A Frame	2000 lbs	2600 lbs	13-1/2"
BE-140X		Jack, Top Wind, A Frame	5000 lbs	6000 lbs	13-1/2"

Weld Flange Jacks

PART NO.	BULLDOG NO.	DESCRIPTION	MAX LIFT	MAX LOAD	LIFT	HEIGHT
FJ-020X	BD1401140303	Jack, Top Wind, Flange Style	2000 lbs	2600 lbs	10"	11"
FJ-530X	BD1401200303	Jack, Top Wind, Flange Style	2000 lbs	2600 lbs	15"	15"
FJ-540X	BD1401030303	Jack, Side Wind, Flange Style	2000 lbs	2600 lbs	15"	15"



Part No. BE-130X



Part No. BE-140X



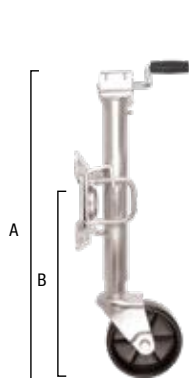
Part No. FJ-020X



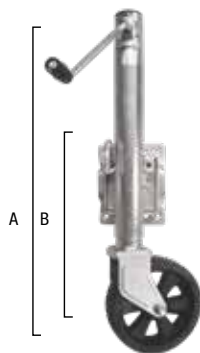
Part No. FJ-540X

Trailer Jacks With Wheels

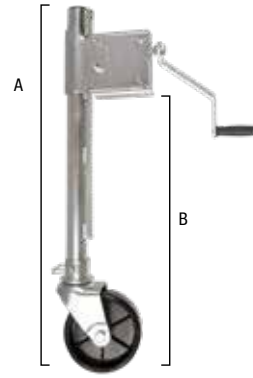
PART NO.	BULLDOG NO.	MAX LIFT	MAX LOAD (STATIC)	LIFT	A (RETRACTED HEIGHT)	B (RETRACTED MOUNT HEIGHT)
TJ-06-01KX		1,000 lbs	1300 lbs	10"	24"	14"
TJ-06-02KX	BDXPDL15L0101	1,500 lbs	1500 lbs	10"	26"	14"
TJ-06-06KX	BDEJ10000101	1,500 lbs	1500 lbs	10"	28"	14"
TJ-01-405X	BD165311	750 lbs	1000 lbs	14"	29"	8-1/2" - 23"
TJ-07-51LX	BDTJ12220301	1,000 lbs	1300 lbs	15"	30"	12-1/2"



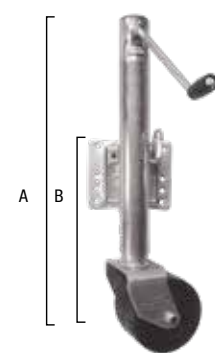
Part No. TJ-06-01KX



Part No. TJ-06-06KX



Part No. TJ-01-405X



Part No. TJ-06-02KX

Zinc Plated Jacks

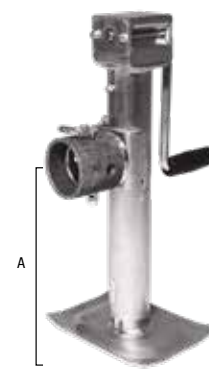
PART NO.	BULLDOG NO.	DESCRIPTION	MAX LIFT	MAX LOAD	LIFT	A (HEIGHT)
BE-555X		Top Wind, Zinc Finish	5000 lbs	6000 lbs	15"	15-1/2"
ST-2104X		Top Wind, Zinc Finish	2000 lbs	2600 lbs	10"	11"
ST-2154X		Top Wind, Zinc Finish	2000 lbs	2600 lbs	15"	16"
LT-5103X		Side Wind, Zinc Finish, Extra Wide Base	7000 lbs	8000 lbs	10"	11"
LT-5153X		Side Wind, Zinc Finish, Extra Wide Base	7000 lbs	8000 lbs	15"	16"
BE-5015X		Side Wind, Zinc Finish, Fixed Mount Bolt On		5000 lbs	15"	



Part No. BE-5015X



Part No. ST-2154X



Part No. LT-5103X

Heavy Duty Jacks

PART NO.	BULLDOG NO.	DESCRIPTION	MAX LIFT	MAX LOAD	LIFT
BE-500X	BD195356	Side Wind Jack with Square Tubing		5000 lbs	15" Lift
BE-720X	BD180304	Top Wind Jack with HD Square Tubing and Telescoping Leg		7000 lbs	26" Lift
BE-700X	BD180455	Side Wind Jack with HD Square Tubing and Telescoping Leg		7000 lbs	26" Lift
BE-1200X	BD182800	Travel Jack with 13.5" Spring Return Drop Leg, Includes Handle	10,000 lbs	12,000 lbs	26" Lift



Part No. BE-500X



Part No. BE-720X



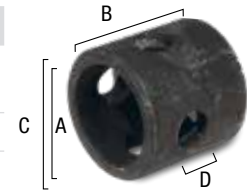
Part No. BE-700X



Part No. BE-1200X

Mounting Pipes

PART NO.	BULLDOG NO.	FITS	A	B	C	D	SIZE
64.002.000X	BD152730300	BE-020X/BE-520X/ LT-5103/LT-5153X	1-1/2"	1-7/8"	2"	9/16"	Small
64.001.000X	BD152710300		2"	2-1/2"	2-1/2"	9/16"	Medium
64.003.000X	BD500239	BE-050X/BE-550X/ ST-2104X/ST-2154X	2-1/2"	2-1/2"	3"	9/16"	Large
64.003.058X	BD500238		2-1/2"	2-1/2"	3"	5/8"	Large



Part No. 64.002.000X

Flange Kit

PART NO.	BULLDOG NO.	FITS	DESCRIPTION
FJ-02-20BX		FJ-020X/ FJ-530X/ BE-540X	Kit Includes: Flange, Pin, Springs & Clip



Part No. FJ-02-20BX

Wheel Assemblies

PART NO.	BULLDOG NO.	FITS	DESCRIPTION
TJ-06-02X	BDXPDL15L0101	BE-120X	Wheel Assembly with Fork, 1000lbs Max
TJ-06-05X	BD017125	BE-120X	Steel Wheel Assembly with Fork, 1000lbs Max
TJ-07-02X	BD1400750340	TJ-07-51LX	Replacement Wheel Assembly



Part No. TJ-07-02X

Wheels

PART NO.	BULLDOG NO.	FITS	DESCRIPTION
TJ-06-04X	BD0917501S00	TJ-06-01KX/ TJ-01-405X/ TJ-07-51LX	Replacement Trailer Jack Wheel
TJ-06-08X		TJ-06-06KX	Replacement Poly Wheel



Part No. TJ-06-04X



Part No. TJ-06-08X

Hand Winches

PART NO.	BULLDOG NO.	DESCRIPTION	CAPACITY
64.500.253X		Hand Winch	1400 lbs
64.500.254X		Hand Winch	2000 lbs



Part No. 64.500.253X

Wind Handles

PART NO.	BULLDOG NO.	FITS	DESCRIPTION
XA-003-999X	BD500180	BE-020/ BE-520X/ BE-555X/ ST-2104X/ ST-2154X	Top Wind Handle Assembly
BE-704X		BE-720X	Top Wind Handle Assembly
BE-702X	BD500248	BE-050X/BE-550X/ TJ-06-01KX/ TJ-01-405X/ TJ-07-51LX/ BE-1020SX/	Replacement Side Wind Handle Grip & Retaining Clip
BE-703X	BD500248	BE-050X/BE-550X/ TJ-06-01KX/ TJ-01-405X/ TJ-07-51LX/ BE-1020SX/	Replacement Side Wind Handle Grip & Retaining Clip
BE-1201X	BD128401	BE-1200X/ BE-1200ZX	Replacement Handle



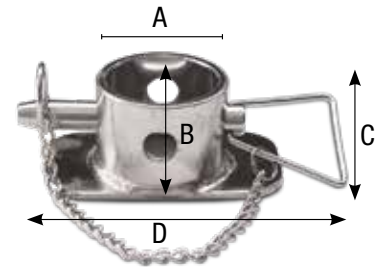
Part No. BE-702X



Part No. BE-703X

Weld-On Jack Collar

PART NO.	BULLDOG NO.	A	B	C	D
BE-701X	BDCA5550301	2-1/2"	2"	2-1/2"	4-1/2"



Part No. BE-701X

Base With Snap Pin

PART NO.	BULLDOG NO.	FITS
TJ-06-03X		BE-120



Part No. TJ-06-03X

Replacement Drop Leg

PART NO.	BULLDOG NO.	FITS
BE-705X		BE-700X/720X



Part No. BE-705X

Replacement Pin & Chain

PART NO.	BULLDOG NO.	SIZE
BE-027X	BD500231	5/8" X 3-1/2"
BE-025X	BD500243	9/16" X 3"



Part No. BE-027X

Retaining Clip

PART NO.	BULLDOG NO.	FITS
BE-1202X		BE1200X



Part No. BE-1202X

Trailer Couplers

PART NO.	BULLDOG NO.	CHANNEL SIZE	BALL SIZE	MAX LOAD
64.500.003X	BD11200 0101	2" Channel	1 7/8" Ball	3,500 lbs
64.500.004X		2" Channel	2" Ball	3,500 lbs
64.500.005X		2-1/2" Channel	2" Ball	3,500 lbs
64.500.007X		2-1/2" Channel	1 7/8" Ball	3,500 lbs
64.500.006X		3" Channel	2" Ball	3,500 lbs
64.500.008X		3" Channel	1 7/8" Ball	3,500 lbs



Part No. 64.500.003X

A-Frame Couplers

PART NO.	BULLDOG NO.	BALL SIZE	MAX LOAD	GROSS WEIGHT	MAX TONGUE WEIGHT	CLASS
64.800.726X	BDE338050303	2" Ball	5,000 lbs	5,000 lbs	700 lbs	SAE Class III
64.819.117X	BDE438050303	2-5/16" Ball	5,000 lbs	10,000 lbs	1,500 lbs	SAE/CSA Class IV



Part No. 64.800.726X



Part No. 64.819.117X

Trailer Balls

PART NO.	BULLDOG NO.	MAX LOAD	BALL SIZE	THREAD SIZE	THREAD TYPE
64.500.346X	BD63880	2,000 lbs	1-7/8"	3/4"	Internal
64.500.348X	BD63882	2,000 lbs	1-7/8"	3/4"	External
64.500.355X		2,000 lbs	1-7/8"	3/4" - Long	External
64.500.345X	BD63884	3,500 lbs	1-7/8"	1"	External
64.500.347X	BD63889	3,500 lbs	2"	3/4"	Internal
64.500.349X	BD63887	3,500 lbs	2"	3/4"	External
64.500.356X		3,500 lbs	2"	3/4" - Long	External
64.500.350X	BD63909	5,000 lbs	2"	1"	External
64.500.357X		5,000 lbs	2"	1" - Long	External
64.500.351X		6,000 lbs	2-5/16"	1"	External
64.500.352X		7,500 lbs	2-5/16"	1-1/4"	External
64.500.358X		8,000 lbs	2"	1-1/4"	External
64.500.353X		10,000 lbs	2-5/16"	1-1/4"	External
64.500.354X	BD63896	12,000 lbs	2-5/16"	1-1/4"	External



Part No. 64.500.346X

Trailer Ball Mounts

PART NO.	BULLDOG NO.	DESCRIPTION	CLASS	DROP	HOLE
64.500.320X	BD2923	Mount	4	2"	1"
64.500.321X	BD2953	Mount	4	4"	1"
64.500.323X	BD40200	Mount	3	1"	1" Straight
64.500.325X	BD80791	HD Triple Type Mount			
64.500.326X	BD80799	HD Triple Type Mount, Chrome Plated Balls			
64.500.330X		Clevis Type Mount			
64.500.332X	BD80422	Mount	4	6"	1"



Part No. 64.500.321X



Part No. 64.500.320X



Part No. 64.500.330X



Part No. 64.500.323X



Part No. 64.500.326X



Part No. 64.500.325X



Part No. 64.500.332X

Bent Trailer Hitch Pins

PART NO.	BULLDOG NO.	A: USEABLE LENGTH	B: PIN DIAMETER
720HPX	BD62341	3"	1/2"



Part No. 720HPX

Drawing Holders

- Heavy duty manual & drawing holder
- Rubber gasket & venting holes protect and hold operators manual

PART NO.	TOTAL LENGTH	INSIDE DIAMETER	MOUNTING HOLE SPACING
CNH221000	12"	2"	10-1/2"
CNH222000	13-1/2"	3-1/4"	12-1/2"



Part No. CNH222000

Light Ranger MUTT®

- RV and utility type trailer tester for 7 spade, 6 round and 4 to 5 flat pin type trailer harnesses
- Short circuit protection
- Turn signal simulation and power verification LED
- Trickle charger and trailer plug adapter included
- Internal battery compartment (battery not included)

PART NO.	DESCRIPTION
BCNH9101	Light Duty Trailer Circuit Tester



Part No. BCNH9101

Light Ranger MUTT®

- Commercial trailer tester for 7 round pin type trailer harness
- Short circuit protection
- Turn signal simulation and power verification LED
- Includes trickle charger
- Internal battery compartment (battery not included)

PART NO.	DESCRIPTION
BCNH9102	Heavy Duty Trailer Circuit Tester



Part No. BCNH9102

Diamond Coated Electrical Contact Cleaner

- Three piece set covers wide range of contact sizes
- Super hard diamond coating is highly abrasive and durable
- Enhances connections and extends contact life

PART NO.	DESCRIPTION
BCNH8047	Diamond Coated Electrical Contact Cleaner



Part No. BCNH8047

Diamond Grip Terminal Cleaners

- Only tool ever made to remove corrosion from spade style electrical terminals
- Three piece cleaner set includes a large, medium and small size cleaner for the most common electrical connectors
- Reduces uncertainty by eliminating bad connections

PART NO.	DESCRIPTION
BCNH8040	Diamond Grip Terminal Cleaners



Part No. BCNH8040

Mantus™ Tight Access Tool

- High quality surgical stainless steel
- Interlocking serrated gripping tips
- 6 inch length
- Can be used with grips, fuses, wires, gaskets, tubes, tools, terminals and more

PART NO.	DESCRIPTION
BCNH8041	Tight Access Tool



Part No. BCNH8041

Super Hard Diamond Coated Round Micro Files

- Only tool made to remove corrosion from round style electrical terminals
- 12 individual pieces ranging in sizes from .03” - .12”

PART NO.	DESCRIPTION
BCNH8042	Diamond Coated Round Micro Files



Part No. BCNH8042

Plow Terminal Cleaners

- Three piece set of cleaning tools with leather type holster
- Cleans and restores male and female electrical plow connectors used on minute mount and similar set ups
- Removes corrosion and increases harness life

PART NO.	DESCRIPTION
BCNH8045	Plow Terminal Cleaners



Part No. BCNH8045

7-Way Spade to 6 & 4 to 5 Pin Trailer Adapter

- Plugs into 7-way spade type terminals found on most vehicles and adapts to 6 round pin and 4 to 5 pin trailer connectors
- Sealed plugs keep debris from corroding connections
- Weatherproof

PART NO.	DESCRIPTION
MC8400	7-Way Spade Trailer Adapter



Part No. MC8400

6 Round Pin Trailer Circuit Tester

- Used for checking break lights, turn signals and running lights
- Each circuit illuminates corresponding LED
- Weatherproof

PART NO.	DESCRIPTION
MC8500	6 Round Pin Trailer Circuit Tester



Part No. MC8500

7 Flat Pin Trailer Circuit Tester

- Tests trailer plug circuitry on most new light trucks, SUVs and RVs
- Plug tester into trailer socket and activate lights, breaks, turn signals and more
- Corresponding LED will illuminate when circuit is good
- Weatherproof

PART NO.	DESCRIPTION
MC8600	7 Flat Pin Circuit Tester



Part No. MC8600

7 Way Round Pin Trailer Circuit Tester

- Identifies faulty circuits on 7-way round pin tractor trailer connections
- Can be used for both truck and trailer side
- Leave plugged in-line while on the road
- Emergency bypass feature jumps power from the power feed to broken circuit on trailer side
- Durable plastic construction
- Weatherproof

PART NO.	DESCRIPTION
MC8700	7 Way Round Pin Trailer Circuit Tester



Part No. MC8700

4 to 5 Pin Trailer Circuit Tester

- Harness checker easily traces each lighting function to the truck side terminal
- Each LED corresponds to the circuit being energized
- Provides an easy-to-connect ground terminal for the trailer lighting set up
- Leave connected in-line with trailer and truck
- Weatherproof

PART NO.	DESCRIPTION
MC8800	4 To 5 Pin Trailer Circuit Tester



Part No. MC8800

HD Fleet Technician's Electrical Terminal Maintenance Set

- 17 piece set designed for cleaning all electrical connections found in commercial heavy duty fleets
- Prevents intermittent power failure
- Extends harness life
- Ensures proper diagnostic equipment connectivity

PART NO.	DESCRIPTION
BCNH8048	Electrical Terminal Maintenance Set



Part No. BCNH8048

7 Round Pin Connector Cleaner

- Precision machined cleaning tool for use with 7 round pin commercial trailer connections
- Quickly and precisely cuts away corrosion

PART NO.	DESCRIPTION
MC8901	7 Round Pin Connector Cleaner



Part No. MC8901

Stainless Steel Twisted Wire Bore Brush Set

- 6 piece stainless steel set (8, 10, 12, 15, 17 & 19 mm Sizes)
- 1/4" hex shank
- Use on ports, tubes, bearings and other common wire brush applications

PART NO.	DESCRIPTION
BCNH8080	Stainless Steel Twisted Wire Bore Brush Set



Part No. BCNH8080

Brass Twisted Wire Bore Brush Set

- 6 piece stainless steel set (8, 10, 12, 15, 17 & 19 mm Sizes)
- 1/4" hex shank
- Use on ports, tubes, bearings and other common wire brush applications

PART NO.	DESCRIPTION
BCNH8081	Brass Twisted Wire Bore Brush Set



Part No. BCNH8081

36 Piece Original Bore Brush Set

- An assortment of 8 mm - 19 mm stainless steel, brass and nylon bore brushes with 1/4" hex shaft
- 1/4" locking bit

PART NO.	DESCRIPTION
BCNH8001D	36 Piece Original Bore Brush Set



Part No. BCNH8001D

BY-PY Complete PTO Drivelines



BY-PY Standard PTOS

PART NO.	69.885.001X
SERIES	Series 1
LENGTH (L)	25"
HP @ RPM	16 @ 540; 25 @ 1000
TRACTOR END	1-3/8" 6 Spline
IMPLEMENT END	1-3/8" 6 Spline

Tractor End



Implement End



PART NO.	69.888.002X
SERIES	Series 2
LENGTH (L)	34"
HP @ RPM	21 @ 540; 31 @ 1000
TRACTOR END	1-3/8" 6 Spline
IMPLEMENT END	1-3/8" 6 Spline

Tractor End



Implement End



PART NO.	69.885.004X
SERIES	Series 4
LENGTH (L)	34"
HP @ RPM	35 @ 540; 55 @ 1000
TRACTOR END	1-3/8" 6 Spline
IMPLEMENT END	1-3/8" 6 Spline

Tractor End



Implement End



PART NO.	69.885.456X
SERIES	Series 4
LENGTH (L)	48"
HP @ RPM	35 @ 540; 55 @ 1000
TRACTOR END	1-3/8" 6 Spline
IMPLEMENT END	1-3/8" 6 Spline

Tractor End



Implement End



THESE ARE NOT ORIGINAL EQUIPMENT PARTS

BY-PY Standard PTOS

PART NO.	69.885.664X
SERIES	Series 6
LENGTH (L)	57"
HP @ RPM	64 @ 540; 100 @ 1000
TRACTOR END	1-3/8" 6 Spline
IMPLEMENT END	1-3/8" 6 Spline

Tractor End

Implement End



PART NO.	69.888.008X
SERIES	Series 8
LENGTH (L)	34"
HP @ RPM	95 @ 540; 130 @ 1000
TRACTOR END	1-3/8" 6 Spline
IMPLEMENT END	1-3/8" 6 Spline



BY-PY Round Bore Shearbolt PTOS

PART NO.	69.885.260X
SERIES	Series 2
LENGTH (L)	52"
HP @ RPM	21 @ 540; 31 @ 1000
TRACTOR END	1-3/8" 6 Spline
IMPLEMENT END	1-1/4" Round Bore Shearbolt

Tractor End

Implement End



PART NO.	69.885.049X
SERIES	Series 4
LENGTH (L)	25"
HP @ RPM	35 @ 540; 55 @ 1000
TRACTOR END	1-3/8" 6 Spline
IMPLEMENT END	1-3/8" Round Bore Shearbolt



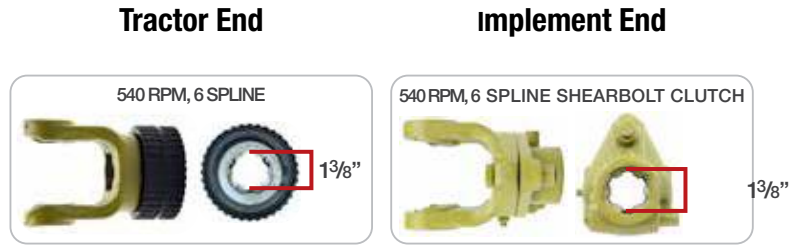
PART NO.	69.885.051X
SERIES	Series 4
LENGTH (L)	52"
HP @ RPM	35 @ 540; 55 @ 1000
TRACTOR END	1-3/8" 6 Spline
IMPLEMENT END	1-3/8" Round Bore Shearbolt



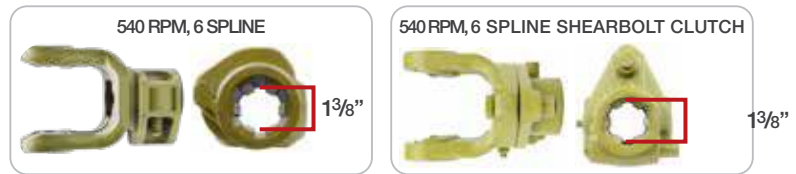
THESE ARE NOT ORIGINAL EQUIPMENT PARTS

BY-PY Complete PTO Drivelines

PART NO.	69.885.005X
SERIES	Series 5
LENGTH (L)	34"
HP @ RPM	47 @ 540; 74 @ 1000
TRACTOR END	1-3/8" 6 Spline
IMPLEMENT END	1-3/8" 6 Spline Shearbolt Clutch

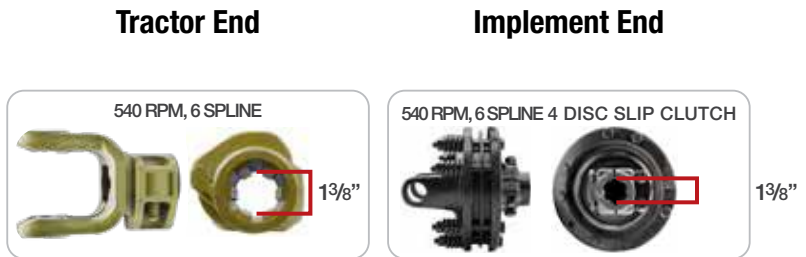


PART NO.	69.888.046X
SERIES	Series 8
LENGTH (L)	34"
HP @ RPM	95 @ 540; 130 @ 1000
TRACTOR END	1-3/8" 6 Spline
IMPLEMENT END	1-3/8" 6 Spline Shearbolt Clutch

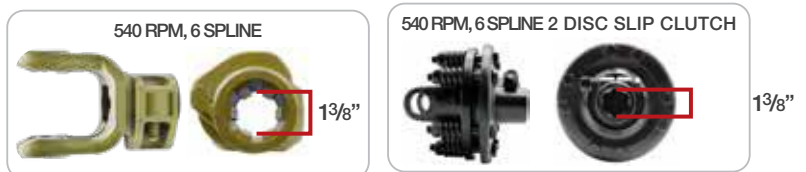


BY-PY Slip Clutch PTOS

PART NO.	69.885.446X
SERIES	Series 4
LENGTH (L)	46"
HP @ RPM	35 @ 540; 55 @ 1000
TRACTOR END	1-3/8" 6 Spline
IMPLEMENT END	1-3/8" 6 Spline 4 Disc Slip Clutch



PART NO.	69.777.025X
SERIES	Series 4
LENGTH (L)	40"
HP @ RPM	35 @ 540; 55 @ 1000
TRACTOR END	1-3/8" 6 Spline
IMPLEMENT END	1-3/8" 6 Spline 2 Disc Slip Clutch



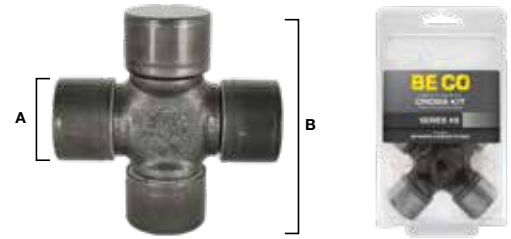
PART NO.	69.777.039X
SERIES	Series 6
LENGTH (L)	40"
HP @ RPM	64 @ 540; 100 @ 1000
TRACTOR END	1-3/8" 6 Spline
IMPLEMENT END	1-3/8" 6 Spline 2 Disc Slip Clutch



THESE ARE NOT ORIGINAL EQUIPMENT PARTS

Replacement Cross Kits

PART NO.	A	B	BY-PY SERIES	540 RPM	1000 RPM	LOCKUP
71201X	22 mm	54 mm	1	16 HP	25 HP	External
71202X	23.8 mm	61.3 mm	2	21 HP	31 HP	External
71204X	27 mm	74.6 mm	4	35 HP	55 HP	External
71205X	30.2 mm	80 mm	5	47 HP	74 HP	External
71206X	30.2 mm	92 mm	6	64 HP	100 HP	External
71208X	35 mm	106.5 mm	8	95 HP	130 HP	External



North American Imperial Replacement Cross Kits



PART NO.	A	B	SERIES	540 RPM	1000 RPM	LOCKUP
200-06X	0.97"	2.28"	6N	14 HP	21 HP	Internal
200-12X	1.06"	2.50"	12N	19 HP	29 HP	Internal
200-14X	1.13"	2.62"	14N	28 HP	44 HP	External
200-35X	1.25"	3.20"	35N	51 HP	79 HP	External



Replacement End Yokes

PART NO.	SERIES	SPLINE
507010351PX	1	1-3/8" 6 QD Pin
507020351PX	2	1-3/8" 6 QD Pin
211029151X	2	1-1/4" Shearbolt
21-10-00PX	4	1-3/8" 6SP QD Pin
21-24-151X	4	1-3/8" 6SP 1/2" Bolt
507050351PX	5	1-3/8" 6SP QD Pin
22-10-00PX	6	1-3/8" 6SP QD Pin
24-10-00PX	8	1-3/8" 6SP QD Pin

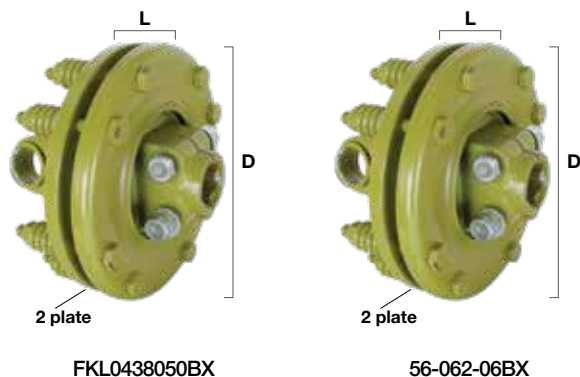


THESE ARE NOT ORIGINAL EQUIPMENT PARTS

BY-PY Replacement Clutches & Parts

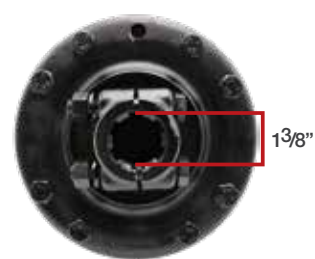
PART NO.	SERIES	TYPE	L	D	SPLINE
FKL0438050BX	4	K90/2	45	200	1-3/8" (6)

PART NO.	SERIES	TYPE	L	D	SPLINE
56-062-06BX	6	K90/2	45	200	1-3/8" (6)



Universal 2 Plate Slip Clutches

PART NO.	FEMALE	MALE
69.000.100X	1-3/8" 6 Spline	1-3/8" 6 Spline



PART NO.	FEMALE	MALE
69.000.101X	1-3/8" RB	1-3/8" RB



PART NO.	FEMALE	MALE
69.000.102X	1-3/8" RB	1-3/8" 6 Spline



Replacement Shields

PART NO.	DESCRIPTION	FITS SERIES	COLLAPSED LENGTH
69.888.998X	Replacement Shield Assembly	#1-4	60"
69.888.999X	Replacement Shield Assembly	#5-8	60"



THESE ARE NOT ORIGINAL EQUIPMENT PARTS

AGRICULTURAL & INDUSTRIAL VALUE PARTS 2020

200-06X	57	64.002.000X	46	64.200.038X	23	64.398.022X	29
200-12X	57	64.003.000X	46	64.200.050X	23	64.398.023X	29
200-14X	57	64.003.058X	46	64.200.516X	23	64.398.024X	29
200-35X	57	64.016.038X	21	64.214.110X	22	64.398.025X	29
21-10-00PX	57	64.016.516X	21	64.218.400X	22	64.400.001X	29
211029151X	57	64.020.005X	21	64.236.190X	22	64.400.002X	29
21-24-151X	57	64.020.038X	21	64.238.050X	22	64.400.003X	29
22-10-00PX	57	64.020.516X	21	64.251.670X	22	64.400.004X	29
24-10-00PX	57	64.025.038X	21	64.300.025X	23	64.400.005X	29
45.000.176X	19	64.100.000X	21	64.300.038X	23	64.400.020X	29
45.000.257X	19	64.100.001X	21	64.300.050X	23	64.400.021X	29
45.036.133X	19	64.100.002X	21	64.300.516X	23	64.400.022X	29
45.061.295X	19	64.100.003X	21	64.307.006X	24	64.400.023X	29
45.064.562X	19	64.100.006X	24	64.307.007X	24	64.400.024X	29
45.092.611X	19	64.100.007X	24	64.307.008X	24	64.400.025X	29
45.131.673X	19	64.100.008X	24	64.310.006X	24	64.400.026X	29
45.300.114X	20	64.100.009X	24	64.310.007X	24	64.400.027X	29
45.300.213X	20	64.100.010X	24	64.310.008X	24	64.400.028X	29
45.300.510X	20	64.100.011X	24	64.325.024X	26	64.400.029X	29
45.300.718X	20	64.100.012X	24	64.358.014X	21	64.400.030X	29
45.300.916X	20	64.100.013X	24	64.362.012X	21	64.400.031X	29
46.002.008X	38	64.100.025X	23	64.362.038X	21	64.400.032X	29
46.002.010X	38	64.100.038X	23	64.367.516X	21	64.400.444X	27
46.002.012X	38	64.100.050X	23	64.395.101X	28	64.400.445X	27
46.002.018X	38	64.100.516X	23	64.395.102X	28	64.424.000X	27
46.003.008X	38	64.101.002X	21	64.395.104X	28	64.424.001X	28
46.003.010X	38	64.108.038X	23	64.395.120X	28	64.424.002X	28
46.003.012X	38	64.108.050X	23	64.395.122X	28	64.424.003X	28
46.003.016X	38	64.108.516X	23	64.395.124X	28	64.424.004X	28
46.003.024X	38	64.109.038X	23	64.395.140X	28	64.424.005X	28
46.004.008X	38	64.109.050X	23	64.395.141X	28	64.424.007X	28
46.025.008X	38	64.109.516X	23	64.395.142X	28	64.424.008X	28
46.025.010X	38	64.110.006X	24	64.395.144X	28	64.424.009X	28
46.035.008X	38	64.110.007X	24	64.395.151X	28	64.424.021X	28
46.035.016X	38	64.110.008X	24	64.395.160X	28	64.424.022X	28
507010351PX	57	64.111.009X	24	64.395.161X	28	64.424.023X	28
507020351PX	57	64.111.010X	24	64.395.162X	28	64.424.024X	28
507050351PX	57	64.111.011X	24	64.395.164X	28	64.424.025X	28
56-062-06BX	58	64.111.012X	24	64.395.520X	28	64.424.027X	28
64.000.003X	25	64.114.110X	22	64.395.522X	28	64.424.041X	27
64.000.004X	25	64.138.050X	22	64.395.523X	28	64.424.042X	27
64.000.005X	25	64.151.670X	22	64.395.524X	28	64.424.043X	27
64.000.009X	24	64.199.002X	21	64.395.525X	28	64.424.044X	27
64.000.010X	24	64.199.003X	21	64.398.020X	29	64.424.045X	27
64.001.000X	46	64.200.025X	23	64.398.021X	29	64.424.047X	27

AGRICULTURAL & INDUSTRIAL VALUE PARTS 2020

64.424.063X	27	64.500.353X	48	68.500.002X	30	87299286BUX	39
64.424.064X	27	64.500.354X	48	68.500.003X	30	87299310BUX	39
64.424.065X	27	64.500.355X	48	68.500.004X	30	87299329BUX	39
64.424.067X	27	64.500.356X	48	68.500.011X	30	87299333BUX	39
64.424.069X	27	64.500.357X	48	68.500.020X	30	87299356BUX	39
64.424.080X	27	64.500.358X	48	68.500.030X	30	87299359BUX	39
64.424.081X	27	64.500.516X	25	68.500.040X	30	87299362BUX	39
64.424.082X	27	64.600.000X	27	68.500.050X	30	87299 364BUX	39
64.424.083X	27	64.600.001X	27	68.500.051X	30	87299366BUX	39
64.424.084X	27	64.600.002X	27	68.500.061X	30	87299367BUX	39
64.424.085X	27	64.600.003X	27	68.500.062X	30	87299394BUX	40
64.424.999X	27	64.600.004X	27	68.500.071X	30	87299395BUX	40
64.500.003X	48	64.600.030X	27	68.500.081X	30	87299410BUX	40
64.500.004X	48	64.600.031X	27	68.500.100X	30	87299413BUX	40
64.500.005X	48	64.600.032X	27	68.500.200X	30	87299416BUX	40
64.500.006X	48	64.600.033X	27	69.000.100X	58	87299539BUX	40
64.500.007X	48	64.600.034X	27	69.000.101X	58	87299540BUX	40
64.500.008X	48	64.600.035X	27	69.000.102X	58	87299546BUX	40
64.500.012X	25	64.600.036X	27	69.777.025X	56	87299547BUX	40
64.500.038X	25	64.612.136X	25	69.777.039X	56	87299816BUX	39
64.500.076X	25	64.612.137X	25	69.885.001X	54	87299818BUX	39
64.500.253X	46	64.612.138X	25	69.885.004X	54	87299820BUX	39
64.500.254X	46	64.777.038X	25	69.885.005X	56	BCNH05305	26
64.500.320X	49	64.777.050X	25	69.885.049X	55	BCNH05306	26
64.500.321X	49	64.777.516X	25	69.885.051X	55	BCNH05334	26
64.500.323X	49	64.800.726X	48	69.885.260X	55	BCNH8001D	53
64.500.325X	49	64.819.117X	48	69.885.446X	56	BCNH8040	51
64.500.326X	49	64.900.025X	23	69.885.456X	54	BCNH8041	51
64.500.330X	49	64.900.038X	23	69.885.664X	55	BCNH8042	51
64.500.332X	49	64.900.050X	23	69.888.002X	54	BCNH8045	51
64.500.340B	41	64.900.316X	22	69.888.008X	55	BCNH8047	50
64.500.340KITM	41	64.900.516X	23	69.888.046X	56	BCNH8048	53
64.500.341B	41	64.914.110X	22	69.888.998X	58	BCNH8080	53
64.500.341KITM	41	64.938.050X	22	69.888.999X	58	BCNH8081	53
64.500.343B	41	64.951.670X	22	71201X	57	BCNH9101	50
64.500.343KITM	41	65.500.071X	27	71202X	57	BCNH9102	50
64.500.344	41	65.500.072X	27	71204X	57	BCNHLB22120	34
64.500.345X	48	65.500.074X	27	71205X	57	BCNHLB32180	34
64.500.346X	48	65.500.076X	27	71206X	57	BCNHLB42240	35
64.500.347X	48	65.600.001X	30	71208X	57	BCNHLB50288	35
64.500.348X	48	65.600.002X	30	720HPX	49	BCNHLB52300	35
64.500.349X	48	65.600.003X	30	87299168BUX	40	BCNHLST1222	37
64.500.350X	48	65.600.004X	30	87299176BUX	40	BCNHLT1230	37
64.500.351X	48	65.600.005X	30	87299209BUX	40	BCNHLTHD1230	37
64.500.352X	48	68.500.001X	30	87299272BUX	39	BE-020X	43

AGRICULTURAL & INDUSTRIAL VALUE PARTS 2020

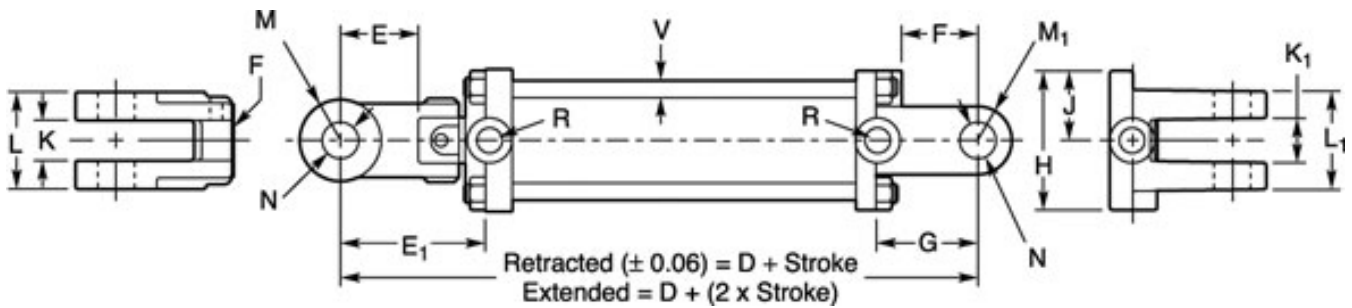
BE-025X	47	LED1803	32	SEA-50200BEX	8
BE-027X	47	LED2701S	34	SEA-50300BEX	8
BE-050X	43	LED4201	32	SEA-50500BEX	8
BE-1020SX	43	LED4801	32	SEA-50800BEX	4
BE-1050X	43	LED5101	33	SEA-50800YBEX	5
BE-1200X	45	LED6001	33	SEA-508BEX	9
BE-1201X	47	LED6001S	34	SEA-509SDIBEX	18
BE-1202X	47	LEDWH01	35	SEA-50DIBEX	18
BE-120X	43	LS001	36	SEA-53000BEX	15
BE-130X	43	LS002	36	SEA-7PNBEX	14
BE-140X	43	LS003	36	SEA-800007X	12
BE-500X	45	LT-5103X	44	SEA-8WSBEX	9
BE-5015X	44	LT-5153X	44	SEA-94000BEX	6
BE-5202X	43	MC04603	26	SEA-COM2210X	6
BE-520X	43	MC05304	26	SEA-EC02100BEX	4
BE-550X	43	MC05314	26	SEA-EC02100BLUX	4
BE-555X	44	MC05324	26	SEA-IH6012BEX	5
BE-700X	45	MC8400	52	SEA-INI054X	13
BE-701X	47	MC8500	52	SEA-JD0550YEX	5
BE-702X	47	MC8600	52	SEA-JD5550YEX	6
BE-703X	47	MC8700	52	SEA-JZS551X	5
BE-704X	47	MC8800	52	SEA-JZS561X	5
BE-705X	47	MC8901	53	SEA-LG6BEX	11
BE-720X	45	SEA-100BEX	14	SEA-LG6LBE-8X	11
BL001	36	SEA-11NBEX	6	SEA-LG6LBEX	11
BL002	36	SEA-12USSBEX	9	SEA-LG6YBEX	11
BLB901	37	SEA-135BEX	12	SEA-MUL002BEX	18
BLB902	37	SEA-135YBEX	12	SEA-SC253000X	7
BLB903	37	SEA-138BEX	7	SEA-SHA35500BEX	17
BLB904	37	SEA-14010BEX	13	SEA-SU35500BEX	17
CMP3100X	0	SEA-14010YBEX	13	ST-2104X	44
CMP6100X	10	SEA-18DCSBEX	7	ST-2154X	44
CNH221000	50	SEA-23UGBEX	10	TJ-01-405X	44
CNH222000	50	SEA-300INDBEX	16	TJ-06-01KX	44
FJ-020X	43	SEA-300RMBEX	3	TJ-06-02KX	44
FJ-02-20BX	46	SEA-300RMBLUBEX	3	TJ-06-02X	46
FJ-48X	42	SEA-300RMYBEX	3	TJ-06-03X	47
FJ-530X	43	SEA-33001BEX	17	TJ-06-04X	46
FJ-540X	43	SEA-35500BEX	16	TJ-06-05X	46
FJ-60X	42	SEA-44000BEX	16	TJ-06-06KX	44
FJ-FPX	42	SEA-44002BEX	15	TJ-06-08X	46
FKL0438050BX	58	SEA-450BEX	8	TJ-07-02X	46
LED1501	33	SEA-450SBEX	14	TJ-07-51LX	44
LED1801	32	SEA-46000BEX	15	XA-003-999X	47
LED1802	33	SEA-50100BEX	8		

Hydraulic Cylinder Sizing Chart

DIMENSION	2 INCH	2.5 INCH	3 INCH	3.5 INCH	4 INCH
D	10-1/4"	10-1/4"	10-1/4"	10-1/4"	10-1/4"
E	2-1/8"	2-1/8"	2-1/8"	2-1/8"	2-1/8"
E 1	4-7/16"	4-7/16"	4-7/16"	4-7/16"	4-7/16"
F	1-5/8"	1-5/8"	2"	2"	2"
G	2-3/8"	2-3/8"	2-1/4"	2-1/4"	2-1/4"
H	2-3/4"	3-1/8"	3-3/4"	4-1/4"	4-7/8"
J	1-3/8"	1-9/16"	1-7/8"	2-1/8"	2-7/16"
K	1-1/8"	1-1/8"	1-1/8"	1-1/8"	1-1/8"
K 1	1-1/8"	1-1/8"	1-1/8"	1-1/8"	1-1/4"
L	2-3/4"	2-3/4"	2-3/4"	2-3/4"	2-3/4"
L 1	2-1/2"	2-1/2"	2-9/16"	1-3/4"	3"
M	1-1/8"	1-1/8"	1-1/8"	1-1/8"	1-1/8"
M 1	1"	1"	1"	1-1/8"	1-1/8"
N	1-1/64"	1-1/64"	1-1/64"	1-1/64"	1-1/64"
P	1-1/8" - 12"	1-1/8" - 12"	1-1/8" - 12"	1-1/8" - 12"	1-1/8" - 12"
R PML	3/8"	3/8"	1/2"	1/2"	1/2"
R PMH	3/4" - 16"	3/4" - 16"	3/4" - 16"	3/4" - 16"	3/4" - 16"
V	3/8"	3/8"	1/2"	5/8"	5/8"

ASAE Hydraulic Cylinder Sizing Chart

DIMENSION	2 INCH	2.5 INCH	3 INCH	3.5 INCH	4 INCH
D ASAE - 8	12-1/4"	12-1/4"	12-1/4"	12-1/4"	12-1/4"
D ASAE - 16	15-1/2"	15-1/2"	15-1/2"	15-1/2"	15-1/2"
E 1 ASAE - 8	6-3/16"	6-3/16"	5-15/16"	5-15/16"	5-7/8"
E 1 ASAE - 16	9-7/16"	9-7/16"	9-3/16"	9-3/16"	9-1/8"
N 1 ASAE - 8	1-1/64"	1-1/64"	1-1/64"	1-1/64"	1-1/64"
N 1 ASAE - 16	1-17/64"	1-17/64"	1-17/64"	1-17/64"	1-17/64"





PM-20079 07/2020 Replaces: PM-18322

©2020 CNH Industrial America LLC. All rights reserved. CNH Industrial Aftermarket Solutions is a trademark in the United States and many other countries, owned by or licensed to CNH Industrial N.V., its subsidiaries or affiliates.